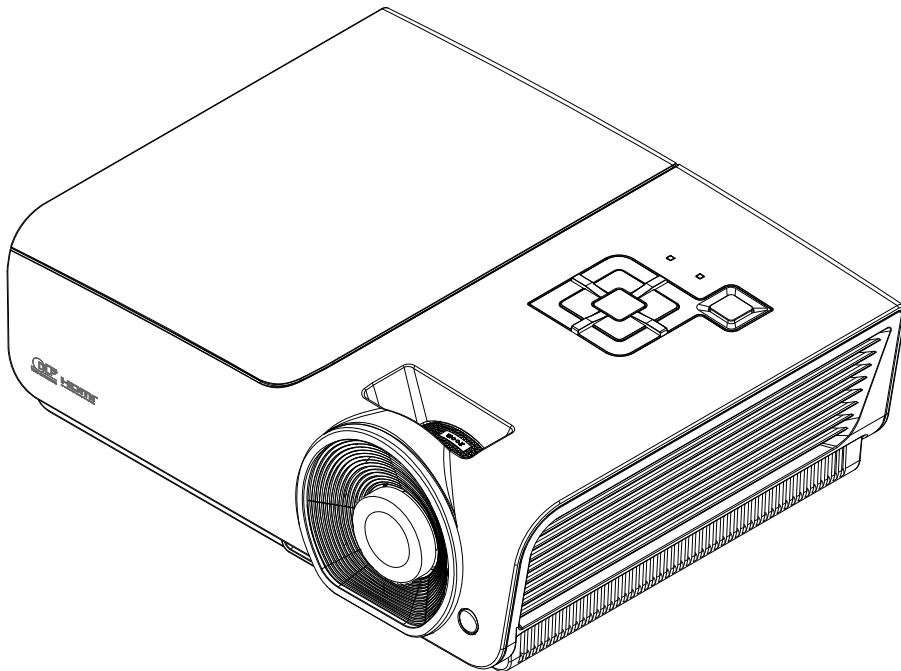




---

# PROJECTOR User's Manual

## HDP2100 High Definition Projector



## **Copyright**

This publication, including all photographs, illustrations and software, is protected under international copyright laws, with all rights reserved. Neither this manual, nor any of the material contained herein, may be reproduced without written consent of the author.

© Copyright 2010

## **Disclaimer**

The information in this document is subject to change without notice. The manufacturer makes no representations or warranties with respect to the contents hereof and specifically disclaims any implied warranties of merchantability or fitness for any particular purpose. The manufacturer reserves the right to revise this publication and to make changes from time to time in the content hereof without obligation of the manufacturer to notify any person of such revision or changes.

## **Trademark Recognition**

Kensington is a U.S. registered trademark of ACCO Brand Corporation with issued registrations and pending applications in other countries throughout the world.

All other product names used in this manual are the properties of their respective owners and are acknowledged.

## **Important Safety Information**

**Important:**

*It is strongly recommended that you read this section carefully before using the projector. These safety and usage instructions will ensure that you enjoy many years of safe use of the projector. Keep this manual for future reference.*

### **Symbols Used**

Warning symbols are used on the unit and in this manual to alert you of hazardous situations.

The following styles are used in this manual to alert you to important information.

**Note:**

*Provides additional information on the topic at hand.*

**Important:**

*Provides additional information that should not be overlooked.*

**Caution:**

*Alerts you to situations that may damage the unit.*

**Warning:**

*Alerts you to situations that may damage the unit, create a hazardous environment, or cause personal injury.*

Throughout this manual, component parts and items in the OSD menus are denoted in bold font as in this example:

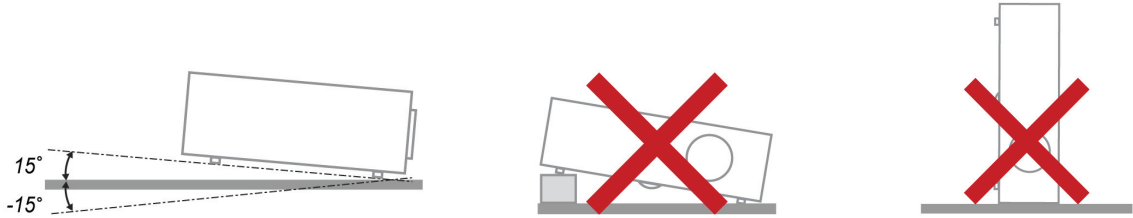
“Push the **MENU** button on the remote control to open the **DISPLAY** menu.”

### **General Safety Information**

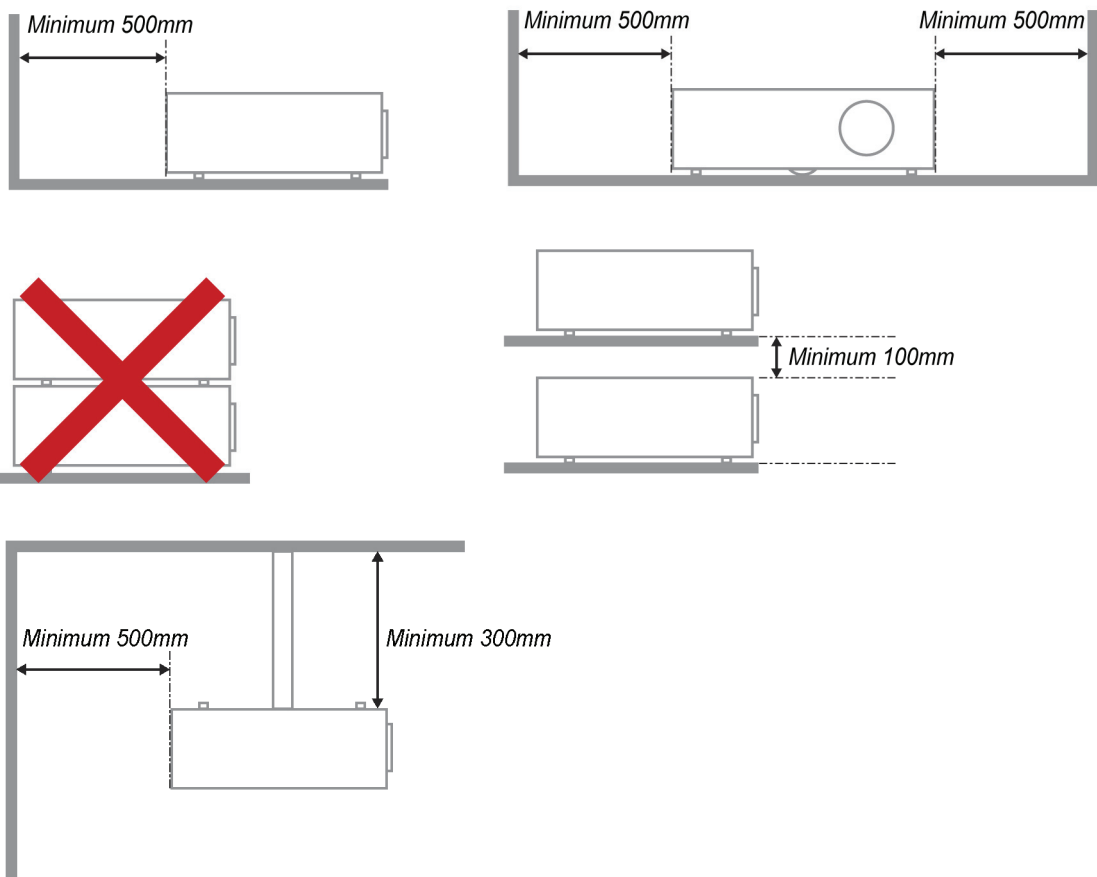
- Do not open the unit case. Aside from the projection lamp, there are no user-serviceable parts in the unit. For servicing, contact qualified service personnel.
- Follow all warnings and cautions in this manual and on the unit case.
- The projection lamp is extremely bright by design. To avoid damage to eyes, do not look into the lens when the lamp is on.
- Do not place the unit on an unstable surface, cart, or stand.
- Avoid using the system near water, in direct sunlight, or near a heating device.
- Do not place heavy objects such as books or bags on the unit.

### Projector Installation Notice

- Place the projector in a horizontal position  
The tilt angle of the projector should not exceed 15 degrees, nor should the projector be installed in any way other than the desktop and ceiling mount, otherwise lamp life could decrease dramatically.



- Allow at least 50 cm clearance around the exhaust vent.



- Ensure that the intake vents do not recycle hot air from the exhaust vent.
- When operating the projector in an enclosed space, ensure that the surrounding air temperature within the enclosure does not exceed 5 – 35°C while the projector is running, and the air intake and exhaust vents are unobstructed.
- All enclosures should pass a certified thermal evaluation to ensure that the projector does not recycle exhaust air, as this may cause the device to shutdown even if the enclosure temperature is within the acceptable 5 – 35°C range.

### Power Safety

- Only use the supplied power cord.
- Do not place anything on the power cord. Place the power cord where it will not be in the way of foot traffic.
- Remove the batteries from the remote control when storing or not in use for a prolonged period.

### **Replacing the Lamp**

Replacing the lamp can be hazardous if done incorrectly. See *Replacing the Projection Lamp* on page 30 for clear and safe instructions for this procedure. Before replacing the lamp:

- Unplug the power cord.
- Allow the lamp to cool for about one hour.

### **Cleaning the Projector**

- Unplug the power cord before cleaning. See *Cleaning the Projector* on page 32.
- Allow the lamp to cool for about one hour.

### **Regulatory Warnings**

Before installing and using the projector, read the regulatory notices in the *Regulatory Compliance* section on page 43.

### **Important Recycle Instructions:**



Lamp(s) inside this product contain mercury. This product may contain other electronic waste that can be hazardous if not disposed of properly. Recycle or dispose in accordance with local, state, or federal Laws. For more information, contact the Electronic Industries Alliance at [WWW.EIAE.ORG](http://WWW.EIAE.ORG). For lamp specific disposal information check [WWW.LAMPRECYCLE.ORG](http://WWW.LAMPRECYCLE.ORG).

### **Symbol Explanations**



**DISPOSAL:** Do not use household or municipal waste collection services for disposal of electrical and electronic equipment. EU countries require the use of separate recycling collection services.

### **Main Features**

- *Lightweight unit, easy to pack away and transport.*
- *Compatible with all major video standards including NTSC, PAL, and SECAM.*
- *A high brightness rating allows for presentations in daylight or in lit rooms.*
- *Supports resolutions up to SXGA+ at 16.7 million colors to deliver crisp, clear images.*
- *Flexible setup allows for front, rear projections.*
- *Line-of-vision projections remain square, with advanced keystone correction for angled projections.*
- *Input source automatically detected.*

### **About this manual**

This manual is intended for end users and describes how to install and operate the DLP projector. Wherever possible, relevant information—such as an illustration and its description—has been kept on one page. This printer-friendly format is both for your convenience and to help save paper, thereby protecting the environment. It is suggested that you only print sections that are relevant to your needs.

---

**Table of Contents**

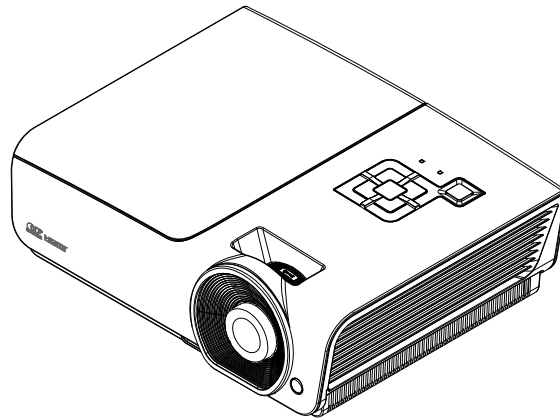
|  |           |
|--|-----------|
| <b>GETTING STARTED</b> .....                                   | <b>1</b>  |
| PACKING CHECKLIST .....  | 1         |
| VIEWS OF PROJECTOR PARTS.....                                  | 2         |
| <i>HDP2100 Front-right View</i> .....                          | 2         |
| <i>Top view—On-screen Display (OSD) buttons and LEDs</i> ..... | 3         |
| <i>Rear view</i> .....   | 4         |
| <i>Bottom view</i> .....                                       | 5         |
| REMOTE CONTROL PARTS .....                                     | 6         |
| REMOTE CONTROL OPERATING RANGE.....                            | 8         |
| PROJECTOR AND REMOTE CONTROL BUTTONS.....                      | 8         |
| <b>SETUP AND OPERATION</b> .....                               | <b>9</b>  |
| INSERTING THE REMOTE CONTROL BATTERIES .....                   | 9         |
| CONNECTING INPUT DEVICES .....                                 | 10        |
| STARTING AND SHUTTING DOWN THE PROJECTOR.....                  | 11        |
| ADJUSTING THE PROJECTOR LEVEL.....                             | 13        |
| ADJUSTING THE ZOOM RING, FOCUS AND KEYSTONE.....               | 14        |
| ADJUSTING THE VOLUME .....                                     | 15        |
| <b>ON-SCREEN DISPLAY (OSD) MENU SETTINGS</b> .....             | <b>16</b> |
| OSD MENU CONTROLS .....  | 16        |
| <i>Navigating the OSD</i> .....                                | 16        |
| SETTING THE OSD LANGUAGE.....                                  | 17        |
| OSD MENU OVERVIEW .....  | 18        |
| PICTURE: BASIC MENU.....                                       | 19        |
| PICTURE: ADVANCED MENU .....                                   | 20        |
| <i>HSG Adjustment</i> .....                                    | 21        |
| DISPLAY MENU.....  | 22        |
| <i>PC Detail Adjustment</i> .....                              | 23        |
| SYSTEM SETUP: BASIC MENU.....                                  | 24        |
| <i>Menu Settings</i> .....                                     | 25        |
| <i>Source</i> .....  | 25        |
| SYSTEM SETUP: ADVANCED MENU .....                              | 26        |
| <i>Audio</i> .....   | 27        |
| <i>Lamp</i> .....  | 27        |
| <i>HDMI</i> .....  | 28        |
| <i>Closed Caption</i> .....                                    | 28        |
| INFORMATION MENU .....   | 29        |
| <b>MAINTENANCE AND SECURITY</b> .....                          | <b>30</b> |
| REPLACING THE PROJECTION LAMP.....                             | 30        |
| CLEANING THE PROJECTOR.....                                    | 32        |
| <i>Cleaning the Lens</i> .....                                 | 32        |
| <i>Cleaning the Case</i> .....                                 | 32        |
| USING THE KENSINGTON® LOCK .....                               | 33        |
| <b>TROUBLESHOOTING</b> .....                                   | <b>34</b> |
| COMMON PROBLEMS AND SOLUTIONS .....                            | 34        |
| TIPS FOR TROUBLESHOOTING .....                                 | 34        |
| LED ERROR MESSAGES .....                                       | 35        |
| IMAGE PROBLEMS.....  | 35        |
| LAMP PROBLEMS .....  | 36        |
| REMOTE CONTROL PROBLEMS .....                                  | 36        |
| AUDIO PROBLEMS .....   | 37        |
| HAVING THE PROJECTOR SERVICED .....                            | 37        |
| <b>SPECIFICATIONS</b> .....                                    | <b>38</b> |
| SPECIFICATIONS.....  | 38        |

PROJECTION DISTANCE VS. PROJECTION SIZE ..... 39  
    *HDP2100 Series Projection Distance and Size Table* ..... 39  
HDP2100 SERIES TIMING MODE TABLE ..... 40  
PROJECTOR DIMENSIONS ..... 42  
**REGULATORY COMPLIANCE ..... 43**  
    FCC WARNING..... 43  
    CANADA ..... 43  
    SAFETY CERTIFICATIONS..... 43  
    EN 55022 WARNING ..... 43

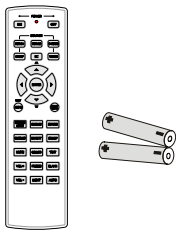
## GETTING STARTED

### Packing Checklist

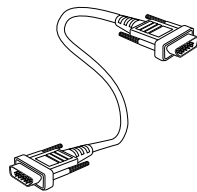
Carefully unpack the projector and check that the following items are included:



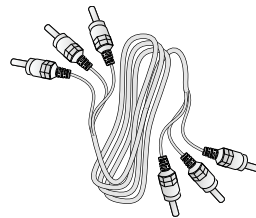
*HDP2100 SERIES DLP PROJECTOR*



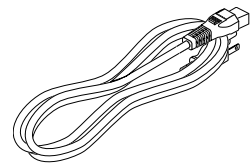
*REMOTE CONTROL  
(WITH TWO AA BATTERIES)*



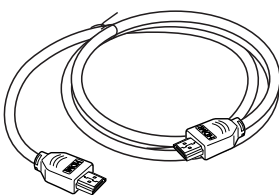
*VGA CABLE*



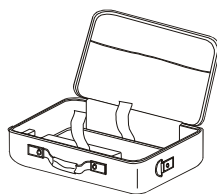
*COMPONENT CABLE*



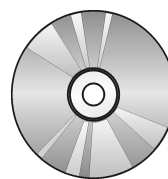
*POWER CORD*



*HDMI CABLE*



*CARRYING CASE*



*CD-ROM  
(THIS USER'S MANUAL)*



*WARRANTY CARD*

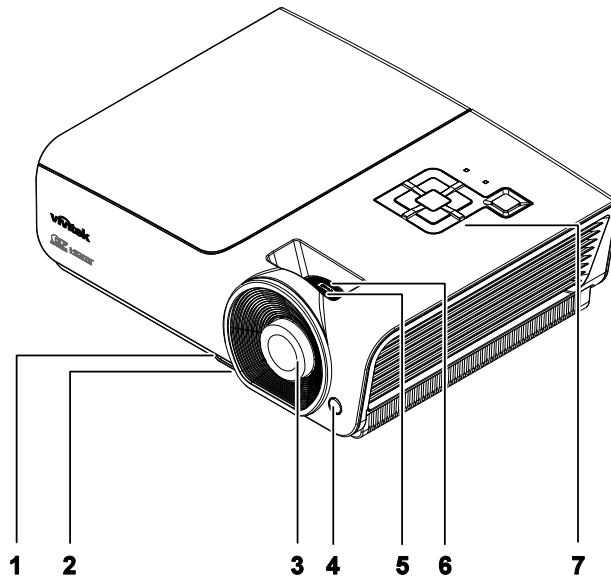
Contact your dealer immediately if any items are missing, appear damaged, or if the unit does not work. It is recommended that you keep the original packing material should you ever need to return the equipment for warranty service.

**Caution:**  
Avoid using the projector in dusty environments.



## Views of Projector Parts

### HDP2100 Series Front-right View

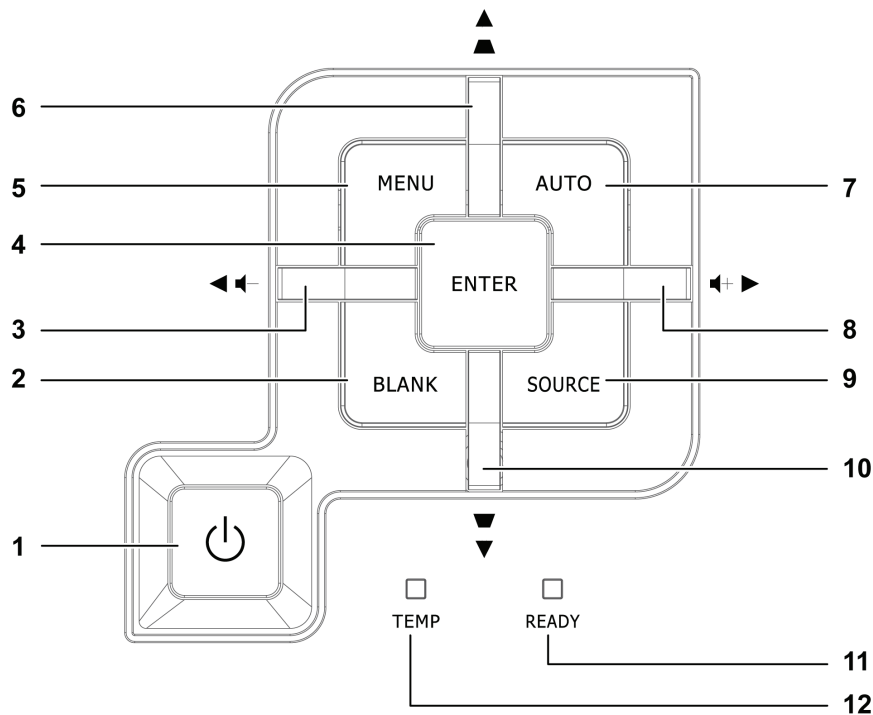


| ITEM | LABEL                  | DESCRIPTION  | SEE PAGE: |
|------|------------------------|--|-----------|
| 1.   | Height-adjuster button | Push to release height adjuster                        | 13        |
| 2.   | Height adjuster        | Adjusts level of projector                             |           |
| 3.   | Lens                   | Projection Lens  |           |
| 4.   | IR receiver            | Receive IR signal from remote control                  | 6         |
| 5.   | Focus ring             | Focuses the projected image                            | 14        |
| 6.   | Zoom ring              | Enlarges the projected image                           |           |
| 7.   | Function keys          | See Top view—On-screen Display (OSD) buttons and LEDs. | 3         |

**Important:**

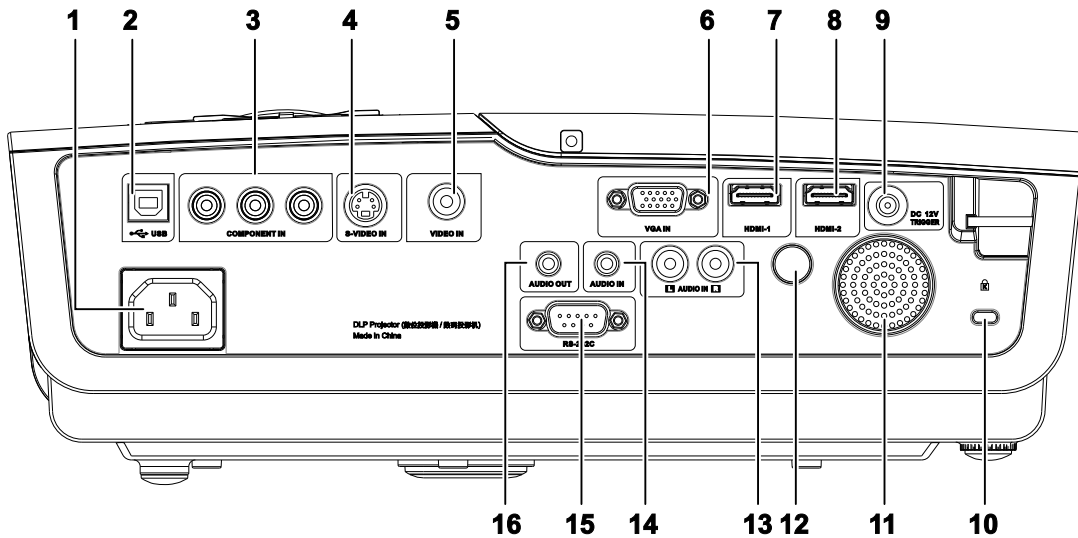
Ventilation openings on the projector allow for good air circulation, which keeps the projector lamp cool. Do not obstruct any of the ventilation openings.

Top view—On-screen Display (OSD) buttons and LEDs



| ITEM | LABEL                       | DESCRIPTION   |   | SEE PAGE: |
|------|-----------------------------|---|---|-----------|
| 1.   | (Power button)              | Turns the projector On or Off.                                      |   | 11        |
| 2.   | BLANK                       | Displays a blank screen and mutes audio                             |   |           |
| 3.   | ◀ (Left cursor) / Volume-   | Navigates and changes settings in the OSD Quick Menu – For Volume   |   | 16        |
| 4.   | Enter                       | Enter or confirm highlighted OSD menu item                          |   |           |
| 5.   | MENU                        | Opens and exits OSD menus   |   |           |
| 6.   | ▲ (Up cursor) / Keystone+   | Navigates and changes settings in the OSD Quick Menu – For Keystone |   |           |
| 7.   | AUTO                        | Optimizes image size, position, and resolution                      |   |           |
| 8.   | ▶ (Right cursor) / Volume+  | Navigates and changes settings in the OSD Quick Menu – For Volume   |   | 16        |
| 9.   | SOURCE                      | Enter the Source menu   |   | 10        |
| 10.  | ▼ (Down cursor) / Keystone- | Navigates and changes settings in the OSD Quick Menu – For Keystone |   | 16        |
| 11.  | READY LED                   | Red   | Lamp is ready to be powered-on.   |           |
|      |                             | Flashing  | Lamp is not ready (warming up/shutting down/cooling) (see <i>LED Error Messages</i> on page 35) |           |
| 12.  | TEMP LED                    | Flashing  | Error code  |           |

Rear view

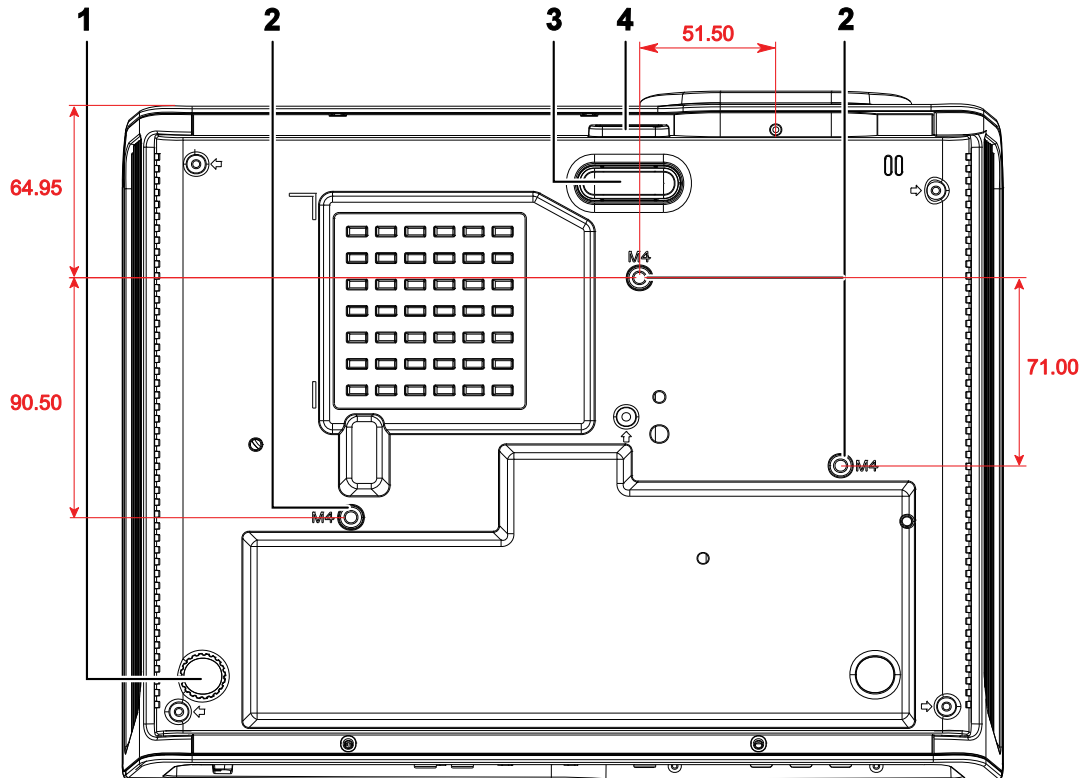


| ITEM | LABEL              | DESCRIPTION   | SEE PAGE: |
|------|--------------------|---|-----------|
| 1.   | AC IN              | Connect the POWER CABLE                                   | 11        |
| 2.   | (USB)              | Connect the USB CABLE from a computer                     | 10        |
| 3.   | COMPONENT IN       | Connect a component video enabled device                  |           |
| 4.   | S-VIDEO IN         | Connect the S-VIDEO CABLE from a video device             |           |
| 5.   | VIDEO IN           | Connect the COMPOSITE CABLE from a video device           |           |
| 6.   | VGA IN             | Connect the RGB CABLE from a computer and components      |           |
| 7.   | HDMI – 1           | Connect the HDMI CABLE from a HDMI device                 |           |
| 8.   | HDMI – 2           | Connect the HDMI CABLE from a HDMI device                 | 11        |
| 9.   | DC 12V             | Connect the 12V OUT                                       |           |
| 10.  | Kensington Lock    | Secure to permanent object with a Kensington® Lock system |           |
| 11.  | Speaker            | Outputs audio sound                                       | 10        |
| 12.  | IR receiver        | Receive IR signal from remote control                     | 6         |
| 13.  | AUDIO IN (L and R) | Connect the AUDIO CABLES from a audio device              | 10        |
| 14.  | AUDIO IN           | Connect an AUDIO CABLE from the input device              |           |
| 15.  | RS-232C            | Connect RS-232 serial port cable for remote control       |           |
| 16.  | AUDIO OUT          | Connect an AUDIO CABLE for audio loop through             |           |

**Note:**

*If your video equipment has various input sources, it is recommended to connect in priority of HDMI, component (thru VGA), S-Video, Composite for better picture quality.*

Bottom view



| ITEM | LABEL                  | DESCRIPTION  | SEE PAGE: |
|------|------------------------|--|-----------|
| 1.   | Tilt adjustor          | Rotate adjuster lever to adjust angle position.                            | 13        |
| 2.   | Ceiling support holes  | Contact your dealer for information on mounting the projector on a ceiling |           |
| 3.   | Height adjustor        | Adjuster drops down when adjuster button is pushed.                        | 13        |
| 4.   | Height adjustor button | Push to release adjustor.  |           |

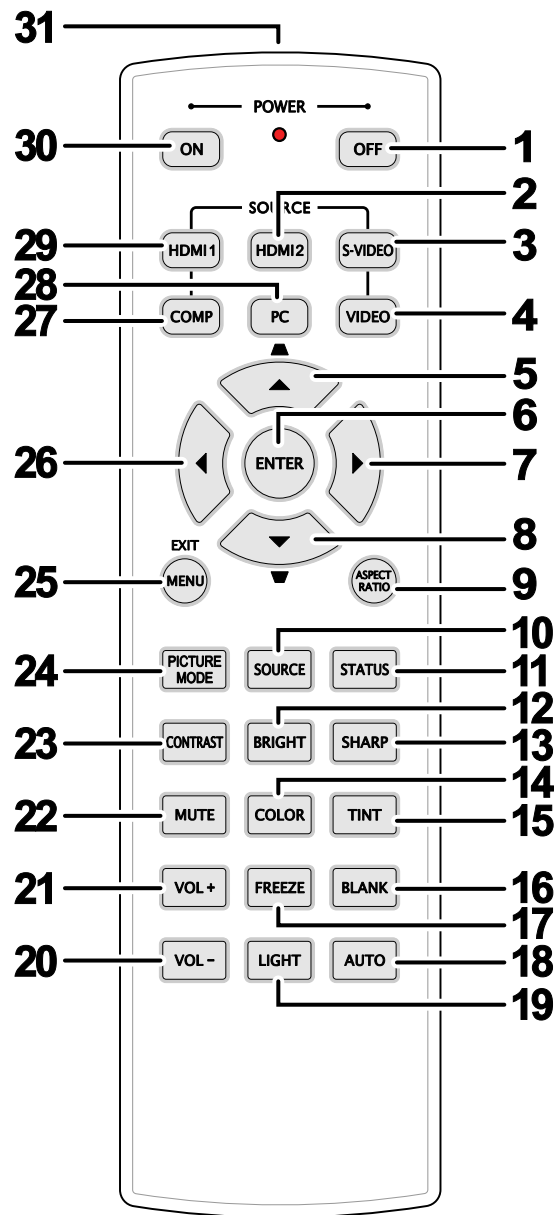
**Note:**

*When installing, ensure that you use only UL Listed ceiling mounts.*

*For ceiling installations, use approved mounting hardware and M4 screws with a maximum screw depth of 6 mm (0.23 inch).*

*The construction of the ceiling mount must be of a suitable shape and strength. The ceiling mount load capacity must exceed the weight of the installed equipment, and as an additional precaution be capable of withstanding three times the weight of the equipment (not less than 5.15 kg) over a period of 60 seconds.*

## Remote Control Parts



**Important:**

1. Avoid using the projector with bright fluorescent lighting turned on. Certain high-frequency fluorescent lights can disrupt remote control operation.

2. Be sure nothing obstructs the path between the remote control and the projector. If the path between the remote control and the projector is obstructed, you can bounce the signal off certain reflective surfaces such as projector screens.

3. The buttons and keys on the projector have the same functions as the corresponding buttons on the remote control. This user's manual describes the functions based on the remote control.

| ITEM | LABEL                    | DESCRIPTION  | SEE PAGE: |
|------|--------------------------|--|-----------|
| 1.   | Power OFF                | Turns the projector off  | <b>11</b> |
| 2.   | HDMI 2                   | Displays the HDMI 2 source selection   |           |
| 3.   | S-VIDEO                  | Displays the S-VIDEO source selection  |           |
| 4.   | VIDEO                    | Displays the VIDEO source selection  |           |
| 5.   | Up cursor /<br>Keystone+ | Navigates and changes settings in the OSD<br>Quick Menu – For Keystone   | <b>16</b> |
| 6.   | ENTER                    | Enters and confirms settings in the OSD  |           |
| 7.   | Right cursor             | Navigates and changes settings in the OSD  |           |
| 8.   | Down cursor              |  |           |
| 9.   | ASPECT RATIO             | Displays the ASPECT RATIO selections   |           |
| 10.  | SOURCE                   | Detects the input device   |           |
| 11.  | STATUS                   | Opens the OSD Status menu<br>(the menu only opens when an input device is detected)  | <b>16</b> |
| 12.  | BRIGHT                   | Displays the brightness setting bar  |           |
| 13.  | SHARP                    | Displays the sharpness setting bar   |           |
| 14.  | COLOR                    | Displays the color setting bar   |           |
| 15.  | TINT                     | Displays the tint setting bar  |           |
| 16.  | BLANK                    | Makes the screen blank   |           |
| 17.  | FREEZE                   | Freezes/unfreezes the on-screen picture  |           |
| 18.  | AUTO                     | Auto adjustment for frequency, phase, and position   |           |
| 19.  | LIGHT                    | Turns on or off the remote control backlight for about 10 seconds. Pressing any other key while the backlight is on keeps the backlight on for a further 10 seconds. |           |
| 20.  | VOL -                    | Adjusts volume   | <b>16</b> |
| 21.  | VOL +                    |  |           |
| 22.  | MUTE                     | Mutes the built-in speaker   |           |
| 23.  | CONTRAST                 | Displays the contrast settings bar   |           |
| 24.  | PICTURE MODE             | Changes the Display Mode setting   |           |
| 25.  | MENU/ EXIT               | Opens and exits the OSD  | <b>16</b> |
| 26.  | Left cursor              | Navigates and changes settings in the OSD  |           |
| 27.  | COMP                     | Displays the Component source selection  |           |
| 28.  | PC                       | Displays the PC source selection   |           |
| 29.  | HDMI 1                   | Displays the HDMI 1 source selection   |           |
| 30.  | Power ON                 | Turns the projector on   | <b>11</b> |
| 31.  | IR transmitter           | Transmits signals to projector   |           |

---

## **Remote Control Operating Range**

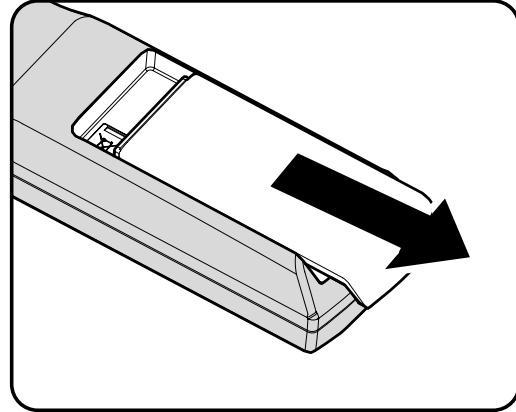
The remote control uses infrared transmission to control the projector. It is not necessary to point the remote directly at the projector. Provided you are not holding the remote perpendicular to the sides or the rear of the projector, the remote will function well within a radius of about 7 meters (23 feet) and 15 degrees above or below the projector level. If the projector does not respond to the remote control, move a little closer.

## **Projector and Remote Control Buttons**

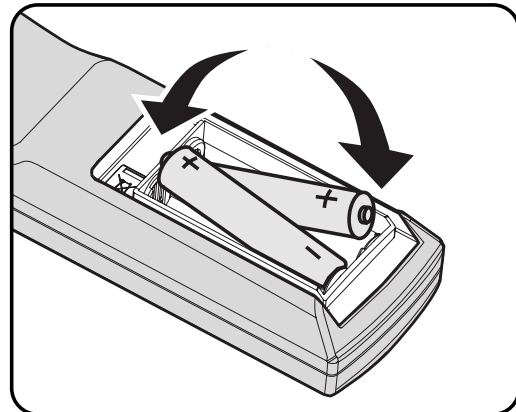
The projector can be operated using the remote control or the buttons on the top of the projector. All operations can be carried out with the remote control; however, the buttons on the projector are limited in use.

### Inserting the Remote Control Batteries

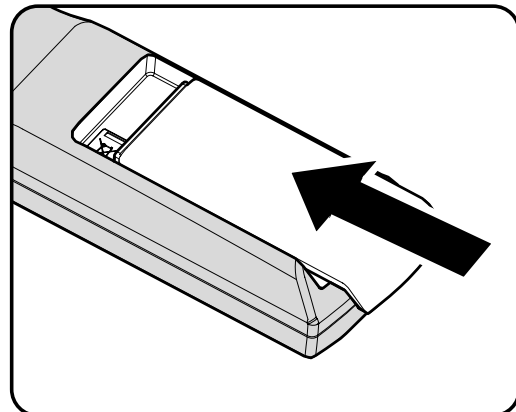
1. Remove the battery compartment cover by sliding the cover in the direction of the arrow.



2. Insert the battery with the positive side facing up.



3. Replace the cover.



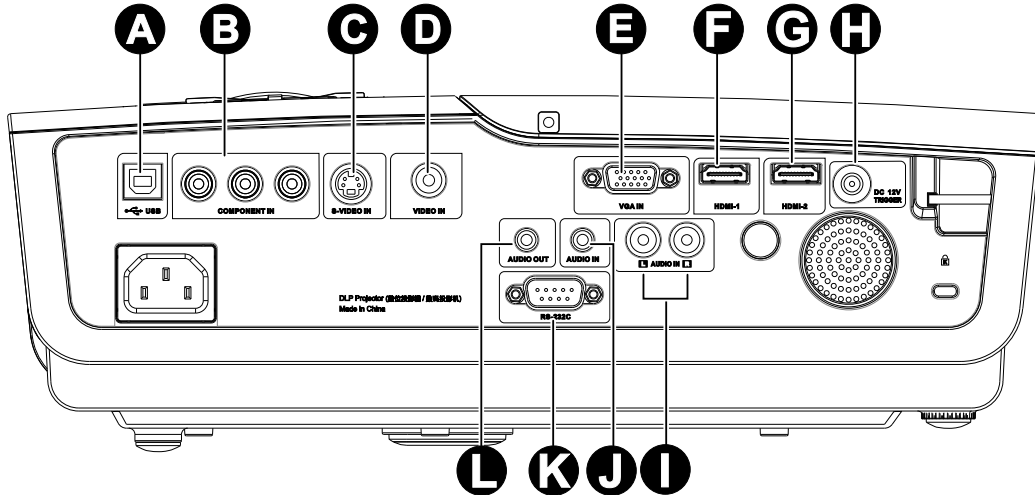
**Caution:**

1. Only use AA batteries (Alkaline batteries are recommended).
2. Dispose of used batteries according to local ordinance regulations.
3. Remove the batteries when not using the projector for prolonged periods.



### Connecting Input Devices

A PC or notebook computer and video devices can be connected to the projector at the same time. Video devices include DVD, VCD, and VHS players, as well as movie camcorders and digital still cameras. Check the user manual of the connecting device to confirm it has the appropriate output connector.



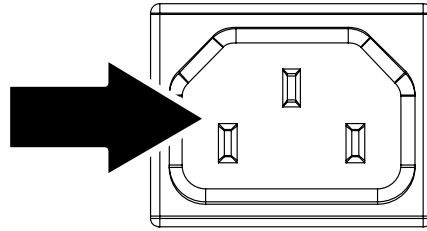
| ITEM     | LABEL              | DESCRIPTION  |
|----------|--------------------|--|
| <b>A</b> | (USB)              | Connect the USB cable from a computer                |
| <b>B</b> | COMPONENT IN       | Connect a component video enabled device             |
| <b>C</b> | S-VIDEO IN         | Connect the S-VIDEO cable from a video device        |
| <b>D</b> | VIDEO IN           | Connect the COMPOSITE cable from a video device      |
| <b>E</b> | VGA IN             | Connect the RGB cable from a computer and components |
| <b>F</b> | HDMI – 1           | Connect the HDMI cable from a HDMI device            |
| <b>G</b> | HDMI – 2           |  |
| <b>H</b> | DC 12V             | Connect the 12V OUT                                  |
| <b>I</b> | AUDIO IN (L and R) | Connect the AUDIO cables from a audio device         |
| <b>J</b> | AUDIO IN           | Connect an AUDIO cable from the input device         |
| <b>K</b> | RS-232C            | Connect RS-232 serial port cable for remote control  |
| <b>L</b> | AUDIO OUT          | Connect an AUDIO cable for audio loop through        |

**Warning:**

As a safety precaution, disconnect all power to the projector and connecting devices before making connections.

## Starting and Shutting down the Projector

1. Connect the power cord to the projector.  
Connect the other end to a wall outlet.  
The **POWER** LED will be on.



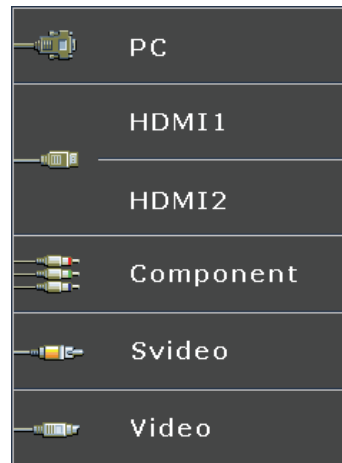
2. Turn on the connected devices.

3. Ensure the **POWER** LED displays a solid blue and not a flashing blue. Then press the **POWER** button to turn on the projector.



The projector splash screen displays and connected devices are detected.

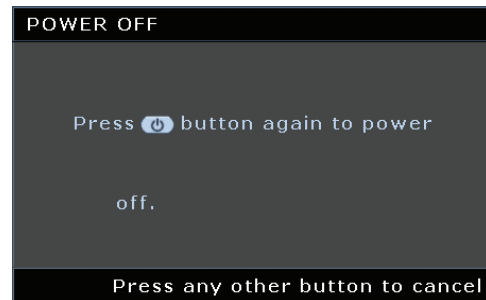


4. If more than one input device is connected, press the **SOURCE** button and use **▲▼** to scroll among devices.  
(Component is supported through the RGB to COMPONENT ADAPTER.)



- PC: Analog RGB
- HDMI 1/2: High Definition Multimedia Interface
- Component: DVD input YCbCr / YPbPr, or HDTV input YPbPr via HD15 connector
- S-Video: Super video (Y/C separated)
- Video: Traditional composite video

5. When the POWER OFF window appears, press  on the control panel or  on the remote control. The projector turns off.



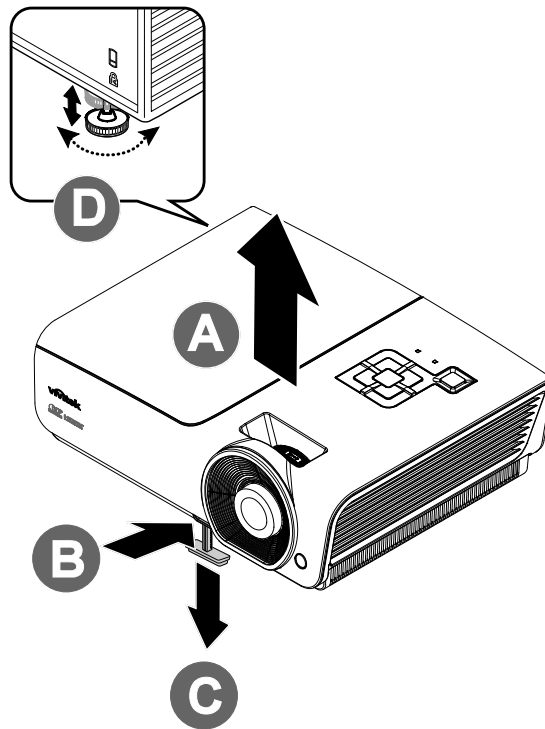
**Caution:**

*Do not unplug the power cord until the READY LED stops flashing—indicating the projector has cooled down.*

## Adjusting the Projector Level

Take note of the following when setting up the projector:

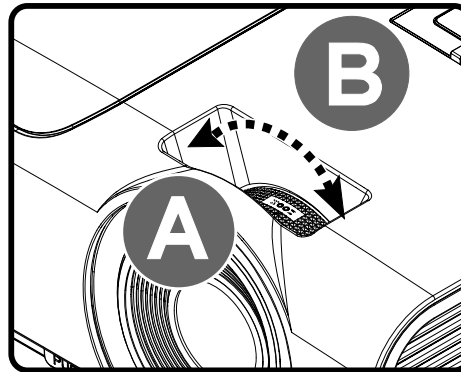
- *The projector table or stand should be level and sturdy.*
- *Position the projector so that it is perpendicular to the screen.*
- *Remove the Back Foot Holder on the rear adjuster foot before adjusting the projection angle.*
- *Ensure the cables are in a safe location. You could trip over them.*



1. To raise the level of the projector, lift the projector [A] and press the height-adjuster button [B].  
The height adjuster drops down [C].
2. To lower the level of the projector, press the height-adjuster button and push down on the top of the projector.
3. To adjust the angle of the picture, turn the tilt-adjuster [D] right or left until the desired angle has been achieved.

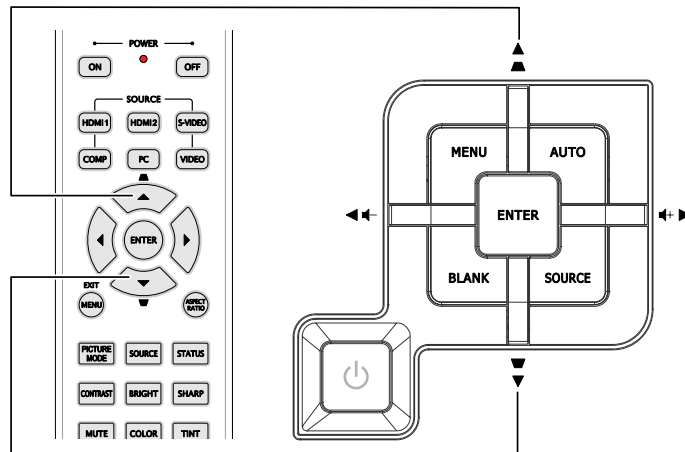
## Adjusting the Zoom ring, Focus and Keystone

1. Use the **Image-zoom** control (on the projector only) to resize the projected image and screen size **B**.



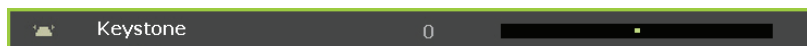
2. Use the **Image-focus** control (on the projector only) to sharpen the projected image **A**.

3. Use the **KEYSTONE** buttons (on the projector or the remote control) to correct image-trapezoid (wider top or bottom) effect.



Remote control and OSD panel

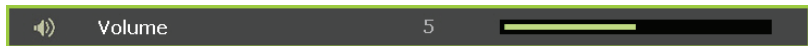
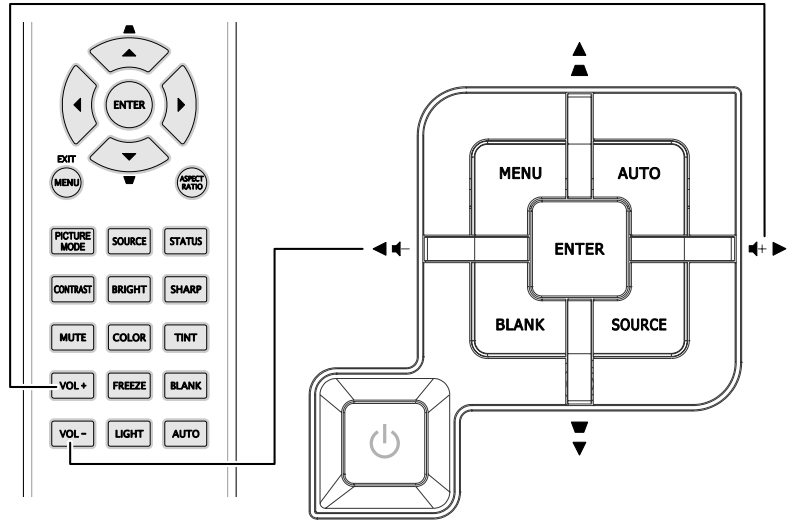
4. The keystone control appears on the display.



## Adjusting the Volume

1. Press the **Volume +/-** buttons on the remote control.  
The volume control appears on the display.

2. Press the **Left or Right Cursor** buttons on the keypad to adjust **Volume +/-**.



3. Press the **MUTE** button to turn off the volume (This feature is available only on the remote).



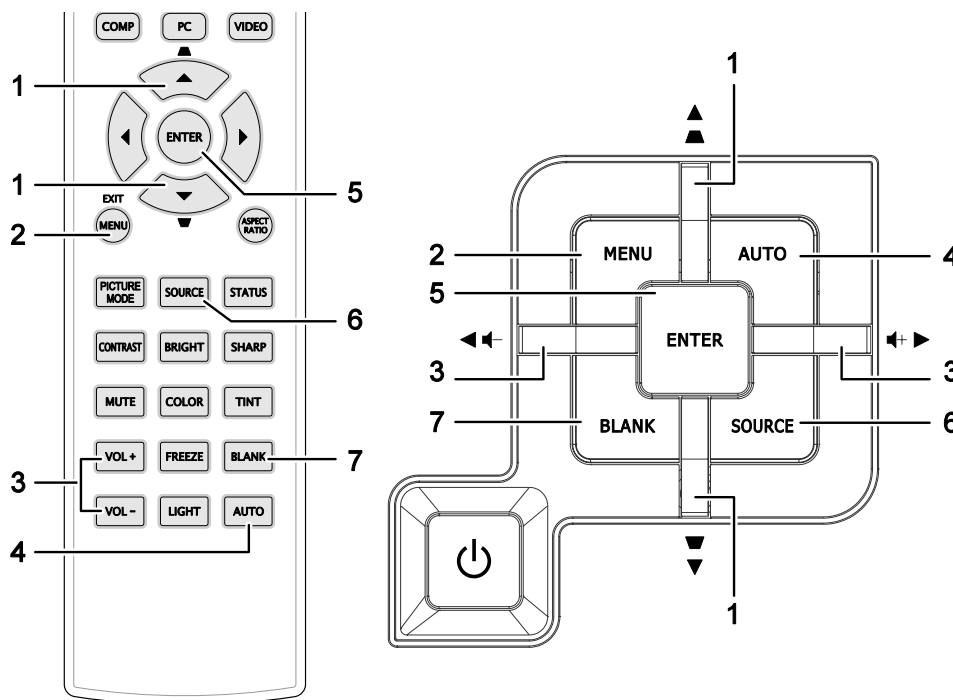
## ON-SCREEN DISPLAY (OSD) MENU SETTINGS

### OSD Menu Controls

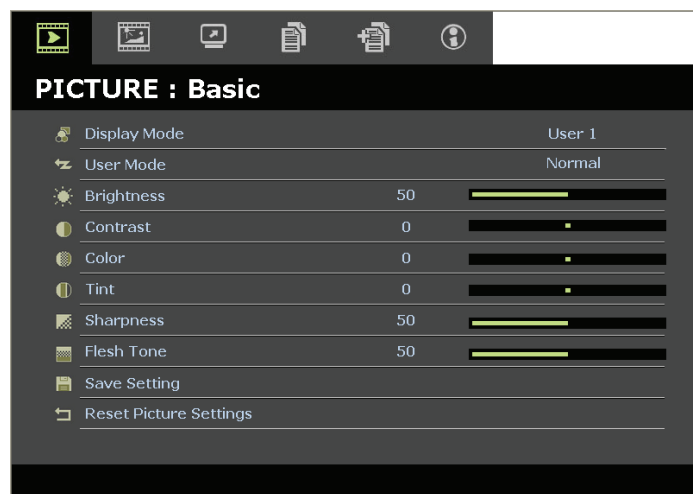
The projector has an OSD that lets you make image adjustments and change various settings.

#### *Navigating the OSD*

You can use the remote control cursor buttons or the buttons on the top of the projector to navigate and make changes to the OSD. The following illustration shows the corresponding buttons on the projector.



1. To enter the OSD, press the **MENU** button.
2. There are six menus. Press the cursor **◀▶** button to move through the menus.
3. Press the cursor **▲▼** button to move up and down in a menu.
4. Press **◀▶** to change values for settings.
5. Press **MENU** to close the OSD or leave a sub menu.



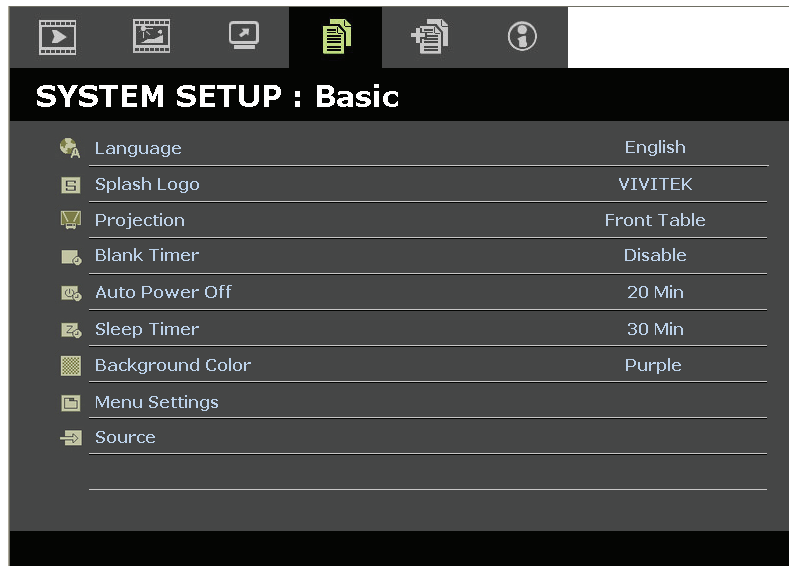
**Note:**

Depending on the video source, not all items in the OSD are available. For example, the **PC Detail Adjustment** item in the **PICTURE: Basic** menu can only be modified when connected to a PC. Items that are not available cannot be accessed and are grayed out.

## Setting the OSD Language

Set the OSD language to your preference before continuing.

1. Press the **MENU** button. Press the cursor ◀▶ button to navigate to **SYSTEM SETUP: Basic**.

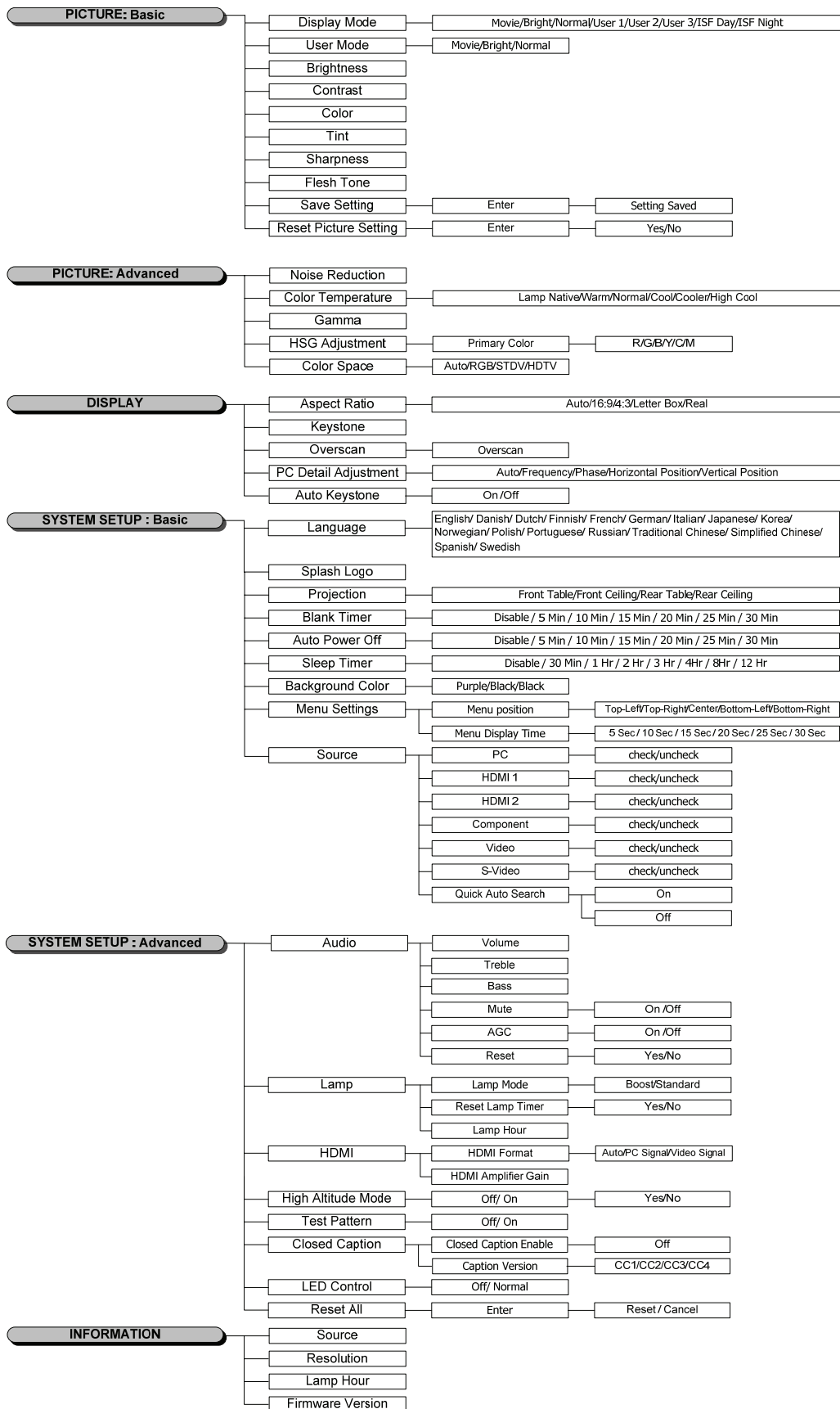


2. Press the cursor ▲▼ button until **Language** is highlighted.
3. Press the cursor ◀▶ button until the language you want is selected.
4. Press the **MENU** button to close the OSD.



## OSD Menu Overview

Use the following illustration to quickly find a setting or determine the range for a setting.

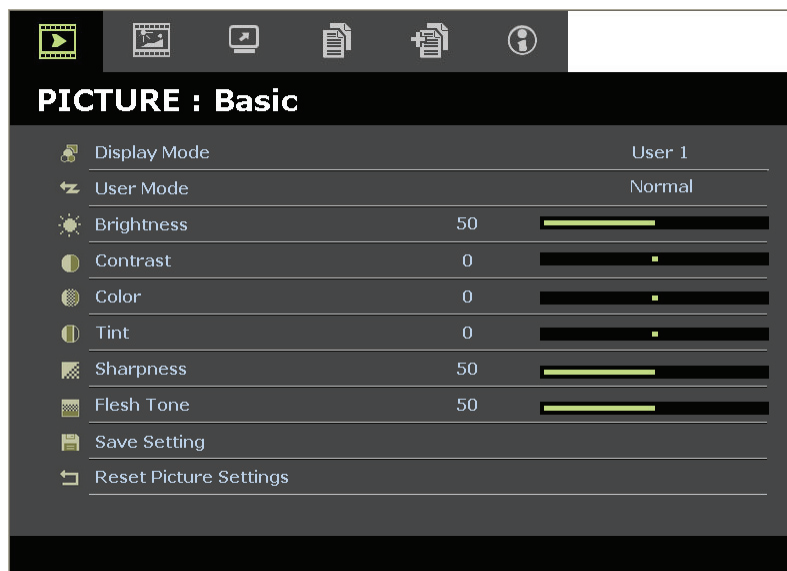


## PICTURE: Basic Menu

Press the **MENU** button to open the **OSD** menu. Press the cursor ◀▶ button to move to the **PICTURE: Basic** menu. Press the cursor ▲▼ button to move up and down in the **PICTURE: Basic** menu. Press ◀▶ to change values for settings.

**Note:**

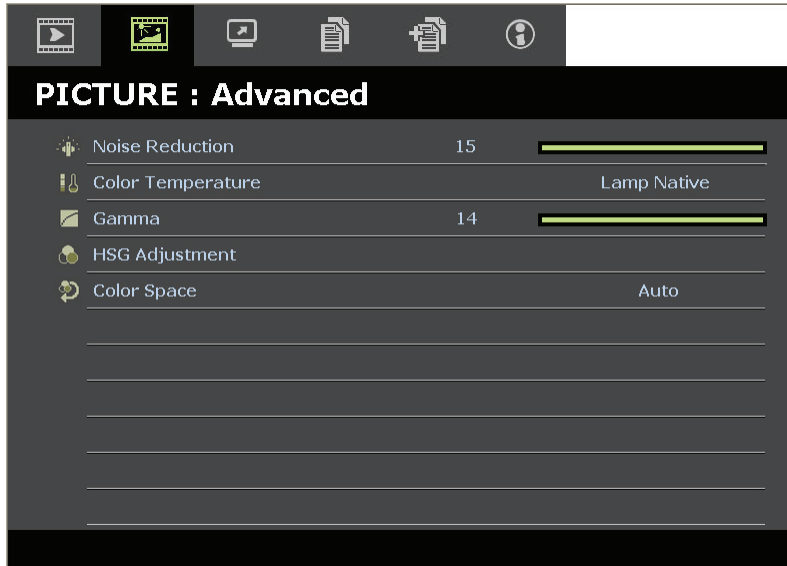
Customizing the settings in **PICTURE: Basic** menu is only available in User 1/2/3 mode.



| ITEM                   | DESCRIPTION  |
|------------------------|--|
| Display Mode           | Press the cursor ◀▶ buttons to set the Display Mode.<br>(Range: Movie/ Bright/ Normal/ User 1/ User 2/ User 3)<br><b>Notes:</b> ISF Day/ISF Night is available when ISF Mode is on.    |
| User Mode              | Press the cursor ◀▶ buttons to set the User Mode.<br>(Range: Movie/ Bright/ Normal)  |
| Brightness             | Press the cursor ◀▶ buttons to adjust the display brightness.  |
| Contrast               | Press the cursor ◀▶ buttons to adjust the display contrast.  |
| Color                  | Press the cursor ◀▶ buttons to adjust the video saturation.<br><b>Notes:</b> This function is only available when Component, Video or S-Video input source is selected.                |
| Tint                   | Press the cursor ◀▶ buttons to adjust the video tint/hue.<br><b>Notes:</b> This function is only available when Component, Video or S-Video with NTSC system input source is selected. |
| Sharpness              | Press the cursor ◀▶ buttons to adjust the display sharpness.<br><b>Notes:</b> This function is only available when Component, Video or S-Video input source is selected.               |
| Flesh Tone             | Press the cursor ◀▶ buttons to adjust the display flesh tone.<br><b>Notes:</b> This function is only available when Component, Video or S-Video input source is selected.              |
| Save Setting           | Press the <b>ENTER</b> button to save all settings.  |
| Reset Picture Settings | Press the <b>ENTER</b> button to reset all settings to default values.   |

## PICTURE: Advanced Menu

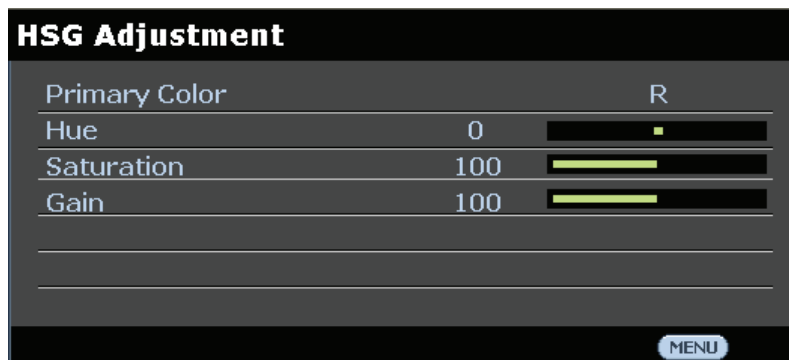
Press the **MENU** button to open the **OSD** menu. Press the cursor ◀▶ button to move to the **PICTURE: Advanced** menu. Press the cursor ▲▼ button to move up and down in the **PICTURE: Advanced** menu. Press ◀▶ to change values for settings.



| ITEM              | DESCRIPTION   |
|-------------------|---|
| Noise Reduction   | Press the cursor ◀▶ button to adjust the Noise Reduction.   |
| Color Temperature | Press the cursor ◀▶ button to set the Color Temperature.  |
| Gamma             | Press the cursor ◀▶ button to adjust the gamma correction of the display.<br><b>Notes:</b> This function is only available in User 1/ 2/ 3 mode.                                  |
| HSG Adjustment    | Press the <b>ENTER</b> button to enter the <b>HSG Adjustment</b> sub menu.<br>See <i>HSG Adjustment</i> on page 21.   |
| Color Space       | Press the cursor ◀▶ button to set the Color Space.<br>(Range: <b>Auto</b> / RGB/ SDTV/ HDTV)<br><b>Notes:</b> This function is only available when HDMI input source is selected. |

### HSG Adjustment

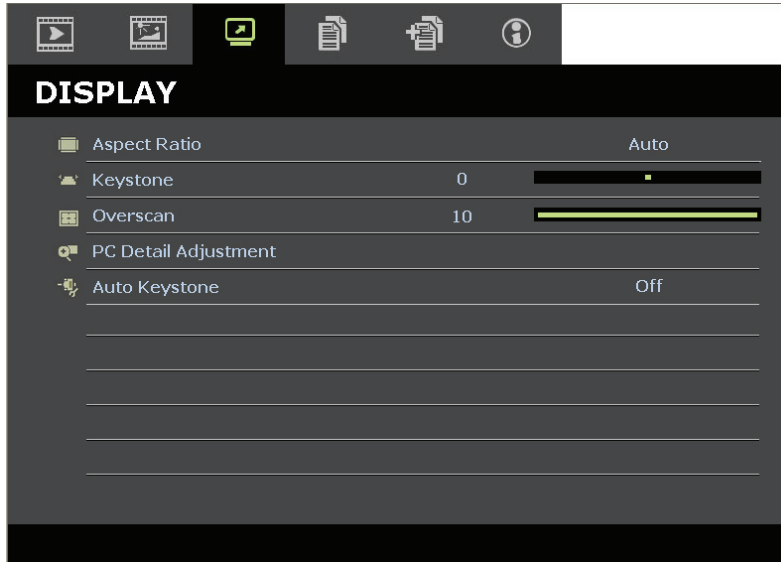
Press the **ENTER** button to enter the **HSG Adjustment** sub menu.



| ITEM          | DESCRIPTION  |
|---------------|--|
| Primary Color | Press the ◀▶ buttons to set the Primary Color.<br><b>Notes:</b> There are six sets ( <b>R/ G/ B/ C/ M/ Y</b> ) of colors to be customized. |
| Hue           | Press the ◀▶ buttons to adjust the Hue.  |
| Saturation    | Press the ◀▶ buttons to adjust the Saturation.   |
| Gain          | Press the ◀▶ buttons to adjust the Gain.   |

## DISPLAY Menu

Press the **MENU** button to open the **OSD** menu. Press the cursor **◀▶** button to move to the **DISPLAY** menu. Press the cursor **▲▼** button to move up and down in the **DISPLAY** menu. Press **◀▶** to change values for settings.



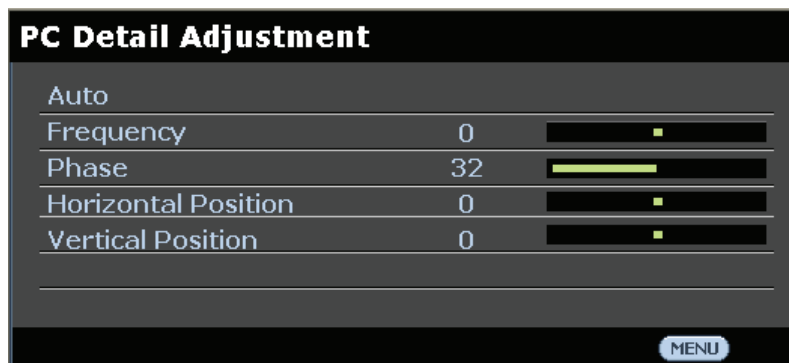
| ITEM                 | DESCRIPTION   |
|----------------------|---|
| Aspect Ratio         | Press the cursor <b>◀▶</b> button to set the Aspect Ratio.<br>(Range: <b>Auto</b> / 16:9/ 4:3/ Letter Box/ Real)  |
| Keystone             | Press the cursor <b>◀▶</b> button to adjust the Keystone.<br><b>Notes:</b> This function is available when the <b>Auto keystone</b> function is turned off.             |
| Overscan             | Press the cursor <b>◀▶</b> button to adjust the Overscan.   |
| PC Detail Adjustment | Press the <b>ENTER</b> button to enter the <b>PC Detail Adjustment</b> sub menu.<br>See <i>PC Detail Adjustment</i> on page 23.   |
| Auto Keystone        | Press the cursor <b>◀▶</b> button to turn on or off the Auto Keystone.<br><b>Notes:</b> When Auto Keystone is on, the projector will automatically adjust the Keystone. |

## PC Detail Adjustment

Press the **ENTER** button to enter the **PC Detail Adjustment** sub menu.

**Note:**

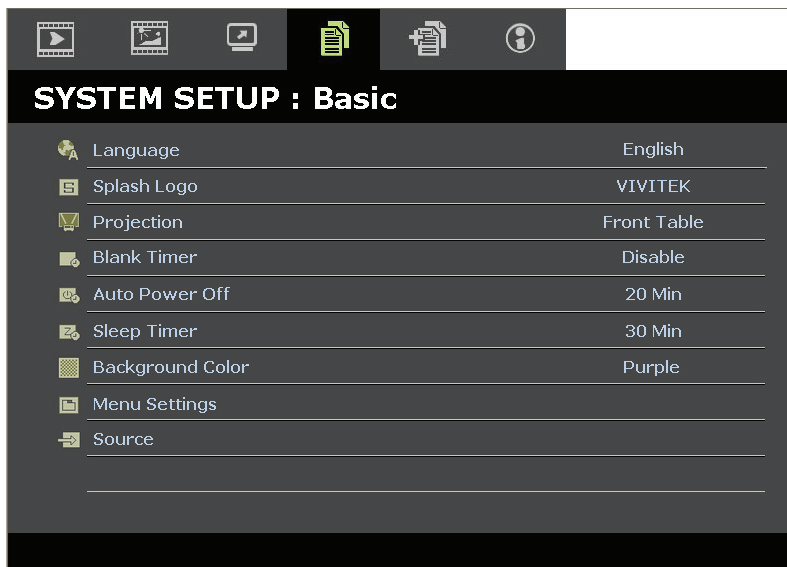
Customizing the settings in **PC Detail Adjustment** menu is only available when PC input source (analog RGB) is selected.



| ITEM                | DESCRIPTION   |
|---------------------|---|
| Auto                | Press the <b>ENTER/AUTO</b> button on the control panel or the <b>ENTER/AUTO</b> button on the remote control to automatically adjust frequency, phase, and position. |
| Frequency           | Press the ◀▶ buttons to adjust the A/D sampling number.   |
| Phase               | Press the ◀▶ buttons to adjust the A/D sampling clock.  |
| Horizontal Position | Press the ◀▶ buttons to adjust the display position right or left.  |
| Vertical Position   | Press the ◀▶ buttons to adjust the display position up or down.   |

## SYSTEM SETUP: Basic Menu

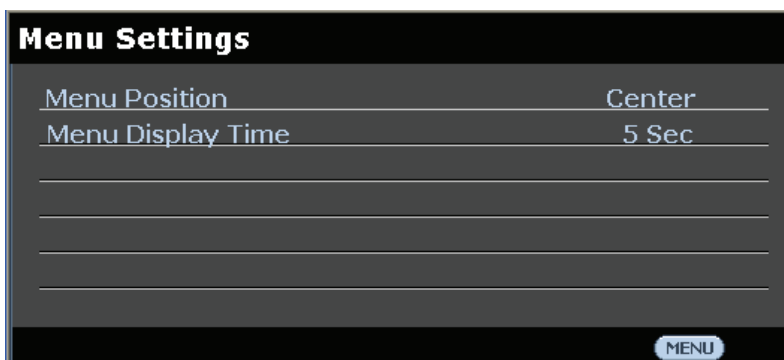
Press the **MENU** button to open the **OSD** menu. Press the cursor **◀▶** button to move to the **SYSTEM SETUP: Basic** menu. Press the cursor **▲▼** button to move up and down in the **SYSTEM SETUP: Basic** menu. Press **◀▶** to change values for settings.



| ITEM             | DESCRIPTION  |
|------------------|--|
| Language         | Press the cursor <b>◀▶</b> buttons to select a different localization menu.<br>(Range: English/ Danish/ Dutch/ Finnish/ French/ German/ Italian/ Japanese/ Korea/ Norwegian/ Polish/ Portuguese/ Russian/ Traditional Chinese/ Simplified Chinese/ Spanish/ Swedish) |
| Splash Logo      | Press the cursor <b>◀▶</b> buttons to select a different startup screen.<br>(Range: <b>Vivitek</b> / Blue/ Black)  |
| Projection       | Press the cursor <b>◀▶</b> buttons to choose from four projection methods:<br><b>Front Table</b> / Front Ceiling/ Rear Table/ Rear Ceiling.  |
| Blank Timer      | Press the cursor <b>◀▶</b> buttons to set the Blank Screen timer. The projected image is automatically restored after the set time.<br>(Range: <b>Disable</b> / 5 min/ 10 min/ 15 min/ 20 min/ 25 min/ 30 min)   |
| Auto Power Off   | Press the cursor <b>◀▶</b> buttons to set the Auto Power Off timer. The projector automatically turns off if no input source is detected after the preset period of time.<br>(Range: <b>Disable</b> / 5 min/ 10 min/ 15 min/ 20 min/ 25 min/ 30 min)                 |
| Sleep Timer      | Press the cursor <b>◀▶</b> buttons to set Sleep timer. The projector automatically turns off after the preset period of time.<br>(Range: <b>Disable</b> / 30 min/ 1hr/ 2hr/ 3hr/ 4hr/ 8hr/ 12hr)   |
| Background Color | Press the cursor <b>◀▶</b> buttons to select the background color when no input source is detected.<br>(Range: Purple/ Black/ Blue)  |
| Menu Settings    | Press the <b>ENTER</b> button to enter the <b>Menu Settings</b> sub menu. See <i>Menu Settings</i> on page 25.   |
| Source           | Press the <b>ENTER</b> button to enter the <b>Source</b> sub menu. See <i>Source</i> on page 25.   |

## Menu Settings

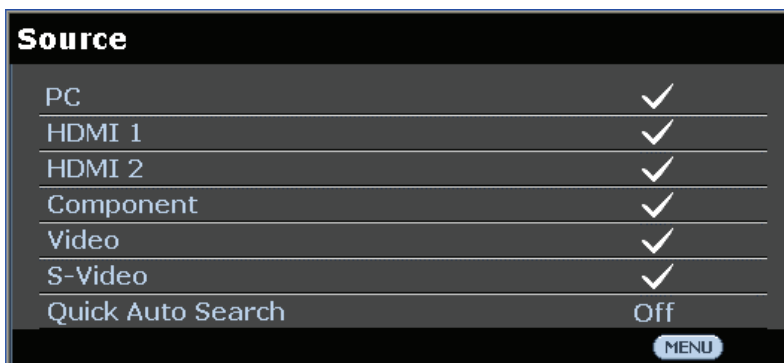
Press the **ENTER** button to enter the **Menu Settings** sub menu.



| ITEM              | DESCRIPTION   |
|-------------------|---|
| Menu Position     | Press the ◀▶ buttons to select from five OSD locations: Top-Left/ Top-Right/ <b>Center</b> / Bottom-Left/ Bottom-Right.               |
| Menu Display Time | Press the ◀▶ buttons to set the Menu Display timer before the OSD times out. (Range: 5sec/ 10sec/ <b>15sec</b> / 20sec/ 25sec/ 30sec) |

## Source

Press the **ENTER** button to enter the **Source** sub menu.

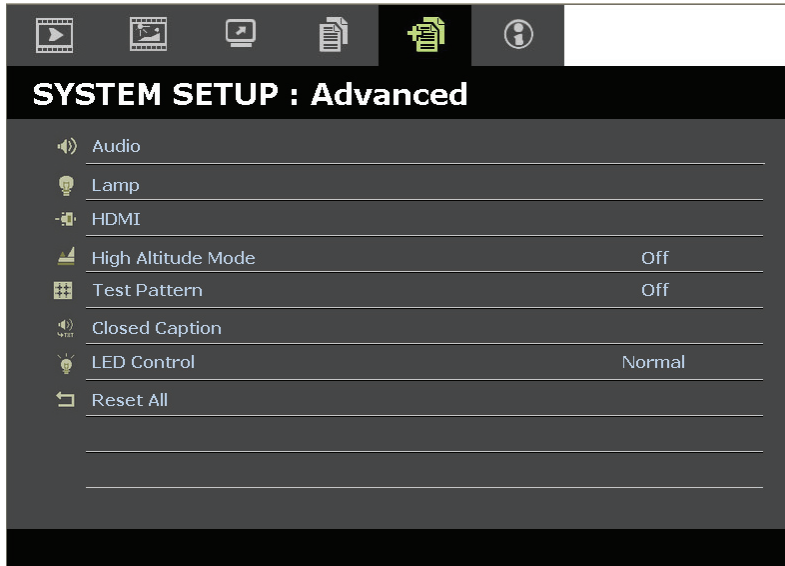


| ITEM              | DESCRIPTION  |
|-------------------|--|
| PC                | Press the ◀▶ buttons to enable or disable the PC source.   |
| HDMI 1            | Press the ◀▶ buttons to enable or disable the HDMI source.   |
| HDMI 2            |  |
| Component         | Press the ◀▶ buttons to enable or disable the Component source.  |
| Video             | Press the ◀▶ buttons to enable or disable the Video source.  |
| S-Video           | Press the ◀▶ buttons to enable or disable the S-Video source.  |
| Quick Auto Search | Press the ◀▶ buttons to enable or disable Quick Auto Search for available input source.<br><b>Notes:</b> When the desired source is selected, the Quick Auto Search function will be turn off. |



## SYSTEM SETUP: Advanced Menu

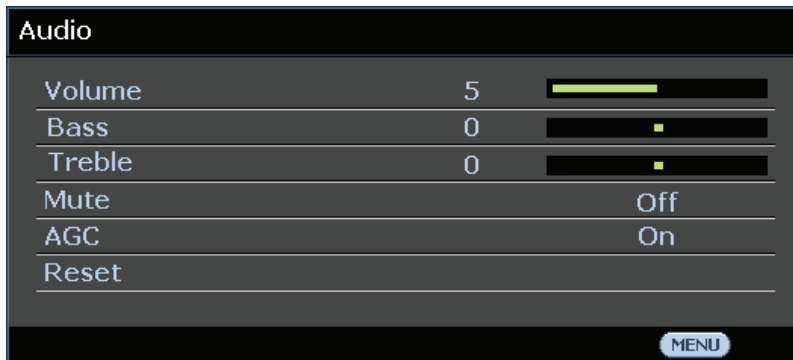
Press the **MENU** button to open the **OSD** menu. Press the cursor **◀▶** button to move to the **SYSTEM SETUP: Advanced** menu. Press the cursor **▲▼** button to move up and down in the **SYSTEM SETUP: Advanced** menu.



| ITEM               | DESCRIPTION   |
|--------------------|---|
| Audio              | Press the <b>ENTER</b> button to enter the <b>Audio</b> sub menu. See <i>Audio</i> on page 27.  |
| Lamp               | Press the <b>ENTER</b> button to enter the <b>Lamp</b> sub menu. See <i>Lamp</i> on page 27.  |
| HDMI               | Press the <b>ENTER</b> button to enter the <b>HDMI</b> sub menu. See <i>HDMI</i> on page 28.  |
| High Altitude Mode | Press the cursor <b>◀▶</b> buttons to turn on or off High Altitude Mode when the altitude of the environment is higher than 1500m, or the temperature is over 40°C. |
| Test Pattern       | Press the cursor <b>◀▶</b> buttons to turn on or off the grid test pattern.   |
| Closed Caption     | Press the <b>ENTER</b> button to enter the <b>Closed Caption</b> sub menu. See <i>Closed Caption</i> on page 28.  |
| LED Control        | Press the cursor <b>◀▶</b> buttons to select the LED control. Select <b>Normal</b> for normal LED display and Off to disable LED display.                           |
| Reset All          | Press the <b>ENTER</b> button to enter reset all settings to default values.  |

## Audio

Press the **ENTER** button to enter the **Audio** sub menu.



| ITEM   | DESCRIPTION  |
|--------|--|
| Volume | Press the ◀▶ buttons to adjust the audio Volume.                       |
| Bass   | Press the ◀▶ buttons to adjust the audio Bass.                         |
| Treble | Press the ◀▶ buttons to adjust the audio Treble.                       |
| Mute   | Press the ◀▶ buttons to turn on or off the speaker.                    |
| AGC    | Press the ◀▶ buttons to turn on or off the AGC setting.                |
| Reset  | Press the <b>ENTER</b> button to reset all settings to default values. |

## Lamp

Press the **ENTER** button to enter the **Lamp** sub menu.



| ITEM             | DESCRIPTION  |
|------------------|--|
| Lamp Mode        | Press the ◀▶ buttons to adjust lamp brightness.                                  |
| Reset Lamp Timer | Press the <b>ENTER</b> button to reset the Lamp Hour after the lamp is replaced. |
| Lamp Hour        | Displays the number of hours the lamp has been in use.                           |

## HDMI

Press the **ENTER** button to enter the **HDMI** sub menu.



| ITEM                | DESCRIPTION  |
|---------------------|--|
| HDMI Format         | Press the ◀▶ buttons to select from three HDMI display formats: Auto/ PC signal/ Video signal. |
| HDMI Amplifier Gain | Press the ◀▶ buttons to adjust HDMI Amplifier Gain.  |

## Closed Caption

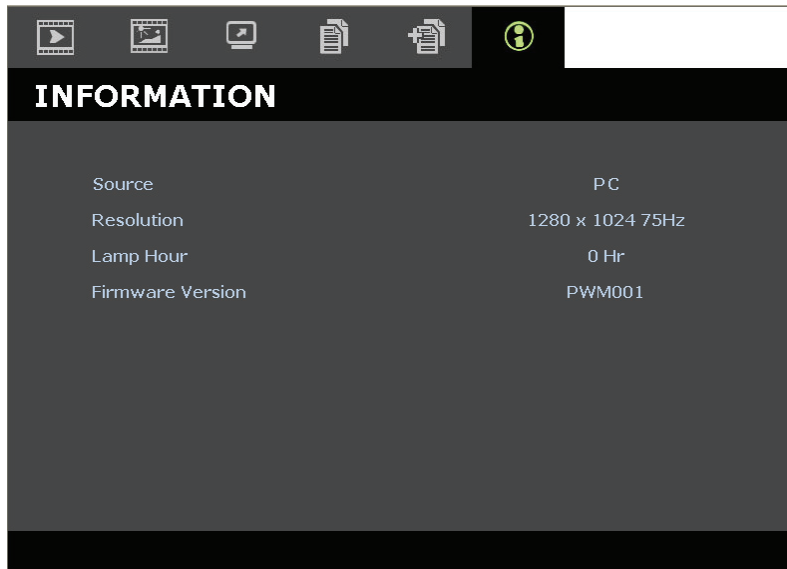
Press the **ENTER** button to enter the **Closed Caption** sub menu.



| ITEM                  | DESCRIPTION  |
|-----------------------|--|
| Closed Caption Enable | Press the ◀▶ buttons to turn on or off Closed Caption. |
| Caption Version       | Press the ◀▶ buttons to select the Caption Version.    |

## INFORMATION Menu

Press the **MENU** button to open the **OSD** menu. Press the cursor ◀▶ button to move to the **INFORMATION Menu**.



| ITEM             | DESCRIPTION  |
|------------------|--|
| Source           | Displays the activated input source.                   |
| Resolution       | Displays the native resolution of input source.        |
| Lamp Hour        | Displays the number of hours the lamp has been in use. |
| Firmware Version | Displays the firmware version of the projector.        |

**Note:**

*Information displayed in this menu is for viewing only and cannot be edited.*

## MAINTENANCE AND SECURITY

### Replacing the Projection Lamp

The projection lamp should be replaced when it burns out. It should only be replaced with a certified replacement part, which you can order from your local dealer.

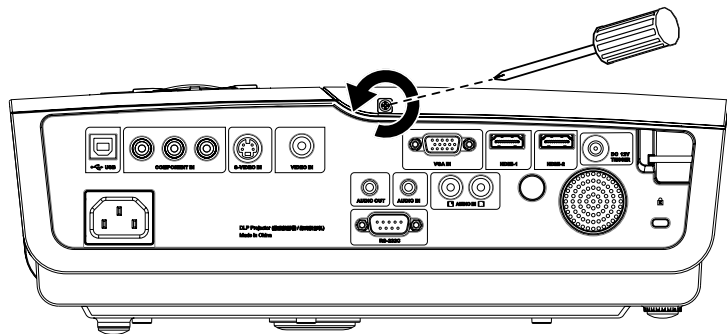
**Important:**

- a. The projection lamp used in this product contains a small amount of mercury.
- b. Do not dispose this product with general household waste.
- c. Disposal of this product must be carried out in accordance with the regulations of your local authority.

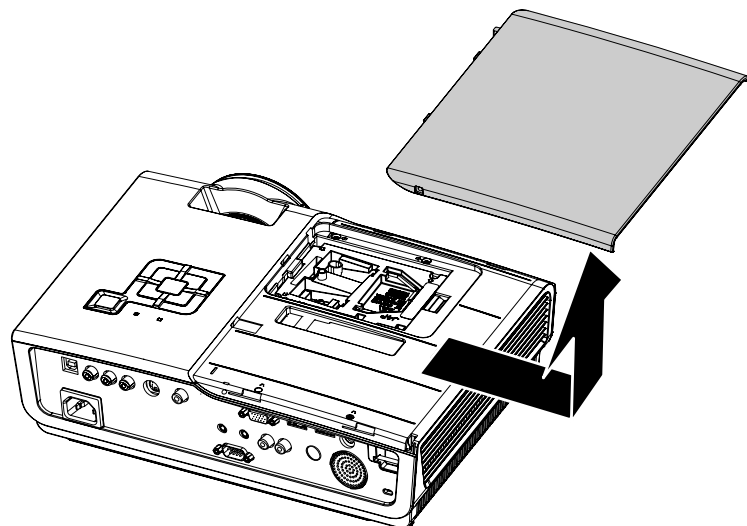
**Warning:**

Be sure to turn off and unplug the projector at least 30 minutes before replacing the lamp. Failure to do so could result in a severe burn.

1. Remove the single screw on the lamp compartment cover.

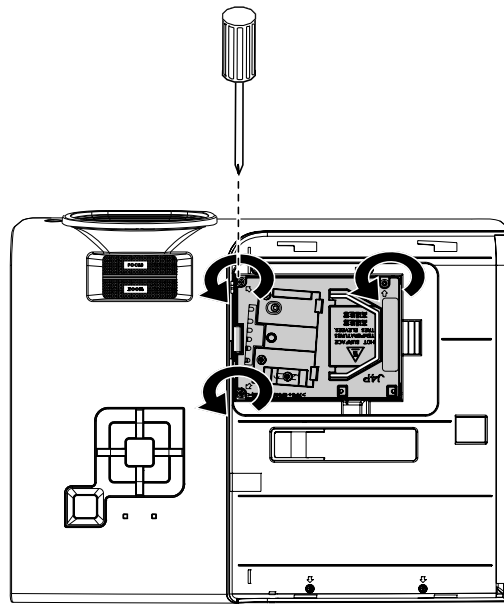


2. Remove the lamp compartment cover.

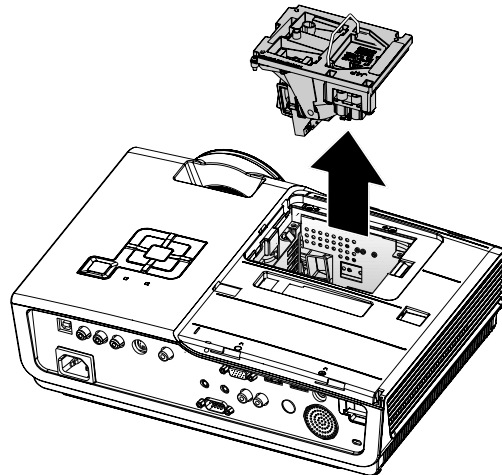


3. Remove the three screws from the lamp module.

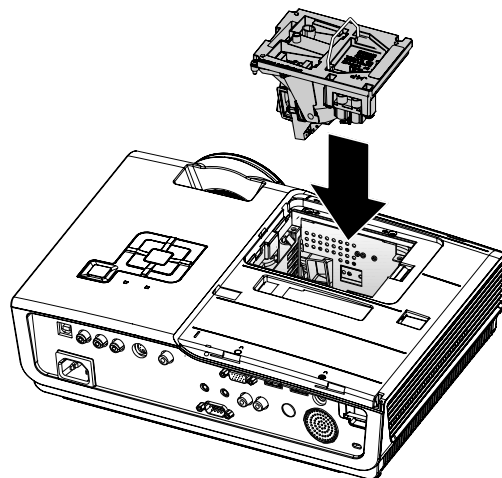
4. Lift the module handle up.



5. Pull firmly on the module handle to remove the lamp module.



6. Reverse steps 1 to 5 to install the new lamp module. While installing, align the lamp module with the connector and ensure it is level to avoid damage.



**Note:** The lamp module must sit securely in place and the lamp connector must be connected properly before tightening the screws.

## **Cleaning the Projector**

Cleaning the projector to remove dust and grime will help ensure trouble-free operation.

**Warning:**

- 1. Be sure to turn off and unplug the projector at least 30 minutes before cleaning. Failure to do so could result in a severe burn.*
- 2. Use only a dampened cloth when cleaning. Do not allow water to enter the ventilation openings on the projector.*
- 3. If a little water gets into the projector interior while cleaning, leave unplugged in a well-ventilated room for several hours before using.*
- 4. If a lot of water gets into the projector interior when cleaning, have the projector serviced.*

### *Cleaning the Lens*

You can purchase optic lens cleaner from most camera stores. Refer to the following to clean the projector lens.

1. Apply a little optic lens cleaner to a clean soft cloth. (Do not apply the cleaner directly to the lens.)
2. Lightly wipe the lens in a circular motion.

**Caution:**

- 1. Do not use abrasive cleaners or solvents.*
- 2. To prevent discoloration or fading, avoid getting cleaner on the projector case.*

### *Cleaning the Case*

Refer to the following to clean the projector case.

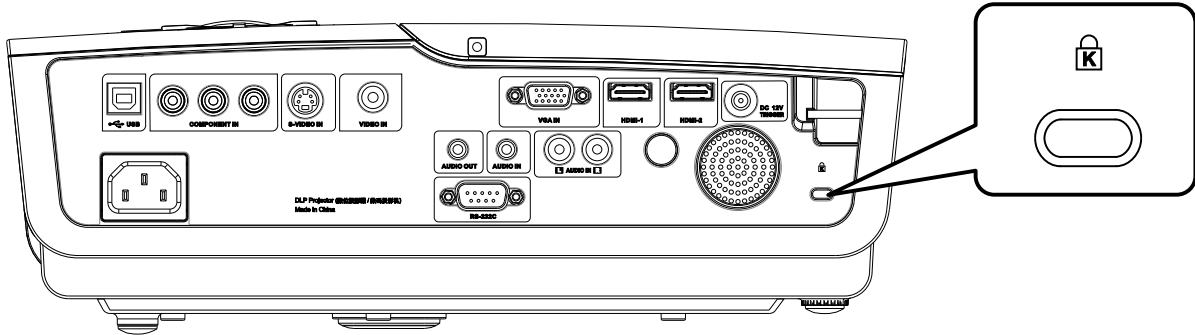
1. Wipe off dust with a clean dampened cloth.
2. Moisten the cloth with warm water and mild detergent (such as used to wash dishes), and then wipe the case.
3. Rinse all detergent from the cloth and wipe the projector again.

**Caution:**

*To prevent discoloration or fading of the case, do not use abrasive alcohol-based cleaners.*

## Using the Kensington® Lock

If you are concerned about security, attach the projector to a permanent object with the Kensington slot and a security cable.



**Note:**

Contact your vendor for details on purchasing a suitable Kensington security cable.

The security lock corresponds to Kensington's MicroSaver Security System. If you have any comment, contact: Kensington, 2853 Campus Drive, San Mateo, CA 94403, U.S.A. Tel: 800-535-4242, <http://www.Kensington.com>.



## Common problems and solutions

These guidelines provide tips to deal with problems you may encounter while using the projector. If the problem remains unsolved, contact your dealer for assistance.

Often after time spent troubleshooting, the problem is traced to something as simple as a loose connection. Check the following before proceeding to the problem-specific solutions.

- *Use some other electrical device to confirm that the electrical outlet is working.*
- *Ensure the projector is turned on.*
- *Ensure all connections are securely attached.*
- *Ensure the attached device is turned on.*
- *Ensure a connected PC is not in suspending mode.*
- *Ensure a connected notebook computer is configured for an external display. (This is usually done by pressing a Fn-key combination on the notebook).*

## Tips for Troubleshooting

In each problem-specific section, try the steps in the order suggested. This may help you to solve the problem more quickly.

Try to pin point the problem and thus avoid replacing non-defective parts.

For example, if you replace batteries and the problem remains, put the original batteries back and go to the next step.

Keep a record of the steps you take when troubleshooting: The information may be useful when calling for technical support or for passing on to service personnel.

## LED Error Messages

| ERROR CODE MESSAGES            | POWER LED BLINK | READY LED BLINK | TEMP LED BLINK |
|--------------------------------|-----------------|-----------------|----------------|
| Lamp Ready                     | ON              | ON              | OFF            |
| Start                          | ON              | OFF             | OFF            |
| Cooling                        | ON              | FLASHING        | OFF            |
| Over temperature               | OFF             | OFF             | ON             |
| Thermal Break Sensor error     | 4               | 4               | OFF            |
| Lamp End of lamp life detected | 5               | 3               | OFF            |
| Burner Fan error               | 6               | 1               | OFF            |
| Lamp Fan error                 | 6               | 2               | OFF            |
| Power Fan error                | 6               | 3               | OFF            |
| DMD Fan error                  | 6               | 4               | OFF            |
| Case Open                      | 7               | OFF             | OFF            |
| DMD error                      | 8               | OFF             | OFF            |
| Color wheel error              | 9               | OFF             | OFF            |

In the event of an error, please disconnect the AC power cord and wait for one (1) minute before re-starting the projector. If the POWER or LAMP LEDs are still blinking or the TEMP LED is lit, contact your service center.

## Image Problems

### ***Problem: No image appears on the screen***

1. Verify the settings on your notebook or desktop PC.
2. Turn off all equipment and power up again in the correct order.

### ***Problem: The image is blurred***

1. Adjust the **Focus** on the projector.
2. Press the **Auto** button on the remote control or projector.
3. Ensure the projector-to-screen distance is within the 10-meter (33-foot) specified range.
4. Check that the projector lens is clean.

### ***Problem: The image is wider at the top or bottom (trapezoid effect)***

1. Position the projector so it is as perpendicular to the screen as possible.
2. Use the **Keystone** button on the remote control or projector to correct the problem.

### ***Problem: The image is reversed***

Check the **Projection** setting on the **Installation I** menu of the OSD.

### ***Problem: The image is streaked***

1. Set the **Frequency** and **Tracking** settings on the **Computer** menu of the OSD to the default settings.
2. To ensure the problem is not caused by a connected PC's video card, connect to another computer.

***Problem: The image is flat with no contrast***

Adjust the **Contrast** setting on the **Image** menu of the OSD.

***Problem: The color of the projected image does not match the source image.***

Adjust the **Color Temperature** and **Gamma** settings on the **Image** menu of the OSD.

## **Lamp Problems**

***Problem: There is no light from the projector***

1. Check that the power cable is securely connected.
2. Ensure the power source is good by testing with another electrical device.
3. Restart the projector in the correct order and check that the Power LED is green.
4. If you have replaced the lamp recently, try resetting the lamp connections.
5. Replace the lamp module.
6. Put the old lamp back in the projector and have the projector serviced.

***Problem: The lamp goes off***

1. Power surges can cause the lamp to turn off. Re-plug power cord. When the READY LED is on, press the power button.
2. Replace the lamp module.
3. Put the old lamp back in the projector and have the projector serviced.

## **Remote Control Problems**

***Problem: The projector does not respond to the remote control***

1. Direct the remote control towards remote sensor on the projector.
2. Ensure the path between remote and sensor is not obstructed.
3. Turn off any fluorescent lights in the room.
4. Check the battery polarity.
5. Replace the batteries.
6. Turn off other Infrared-enabled devices in the vicinity.
7. Have the remote control serviced.

## **Audio Problems**

### ***Problem: There is no sound***

1. Adjust the volume on the remote control.
2. Adjust the volume of the audio source.
3. Check the audio cable connection.
4. Test the source audio output with other speakers.
5. Have the projector serviced.

### ***Problem: The sound is distorted***

1. Check the audio cable connection.
2. Test the source audio output with other speakers.
3. Have the projector serviced.

## **Having the Projector Serviced**

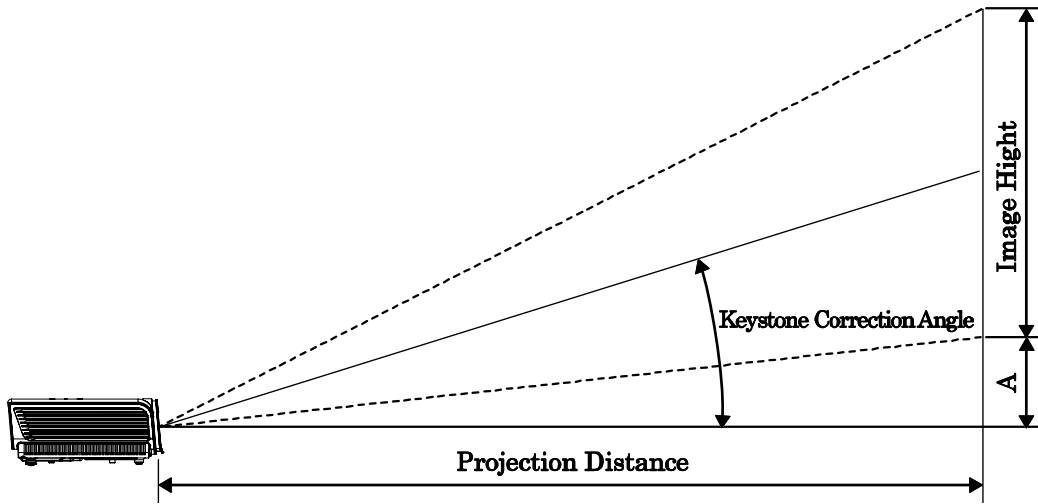
If you are unable to solve the problem, you should have the projector serviced. Pack the projector in the original carton. Include a description of the problem and a checklist of the steps you took when trying to fix the problem: The information may be useful to service personnel. For servicing, return the projector to the place you purchased it.

**SPECIFICATIONS**

**Specifications**

|                                     |  |
|-------------------------------------|--|
| <b>Model</b>                        | <b>HDP2100 Series</b>  |
| <b>Display type</b>                 | TI DLP DMD 0.65"   |
| <b>Native Resolution</b>            | 1920 x 1080  |
| <b>Weight</b>                       | 3.4 kg (7.5 lbs)   |
| <b>Projection distance</b>          | 1 meters ~ 10 meters   |
| <b>Projection screen size</b>       | 25" ~ 300"   |
| <b>Projection lens</b>              | Manual Focus/Manual Zoom   |
| <b>Zoom ratio</b>                   | 1.2  |
| <b>Vertical keystone correction</b> | +/- 15 degrees   |
| <b>Auto Keystone</b>                | Yes  |
| <b>Projection methods</b>           | Front, Rear, Desktop/Ceiling (Rear, Front)   |
| <b>Data compatibility</b>           | VGA, SVGA, XGA, SXGA, Mac  |
| <b>SDTV/ EDTV/ HDTV</b>             | 480i, 576i, 576p, 480p, 720p, 1080i, 1080p   |
| <b>Video compatibility</b>          | NTSC 4.43, PAL (M/N/60), SECAM   |
| <b>H-Sync</b>                       | 15.6 – 91.1 kHz  |
| <b>V-Sync</b>                       | 50 – 85 Hz   |
| <b>Safety certification</b>         | FCC-B, UL, cUL, CB, CE, CCC, KC, PCT, and C-tick   |
| <b>Operation temperature</b>        | 5° ~ 35°C  |
| <b>Dimensions</b>                   | 332.8 mm (W) x 113 mm (H) x 254.6 mm (D)   |
| <b>AC Input</b>                     | AC Universal 100 ~ 240, Typical @ 110VAC (100~240)/± 10%   |
| <b>Power consumption</b>            | Standard mode: 250W (Typical)/ 270W (Maximum)<br>Boost mode: 300W (Typical)/ 320W (Maximum)                            |
| <b>Stand By</b>                     | <1 watt  |
| <b>Lamp</b>                         | 230W   |
| <b>Audio speaker</b>                | AMP 5W speaker   |
| <b>Input Terminals</b>              | Digital: HDMI x 2  |
|                                     | Analog: RGB HD-15 x 1  |
|                                     | Composite: RCA x 1 (Yellow)  |
|                                     | S-Video: mini dim x 1  |
|                                     | Component: RCA x 3   |
|                                     | Audio in: $\phi$ 3.5 mm stereo mini jack x 1; RCA x 2 R/L  |
| <b>Output Terminals</b>             | Mini-jack stereo x 1   |
| <b>Control Terminals</b>            | RS-232: DSUB-9 x 1   |
|                                     | DC_out (screen trigger): DC Jack x 1 (DC12V 200mA output function)<br>Keyboard Emulation Control: USB connector type B |
| <b>Security</b>                     | Kensington lock  |

**Projection Distance vs. Projection Size**



*HDP2100 Series Projection Distance and Size Table*

| 16:9 SCREEN |     |       |        | PROJECTION DISTANCE                 |         |                                     | VERTICAL<br>OFFSET IN<br>CM |
|-------------|-----|-------|--------|-------------------------------------|---------|-------------------------------------|-----------------------------|
| DIAGONAL    |     | WIDTH | HEIGHT | MIN<br>LENGTH<br>(WITH MAX<br>ZOOM) | AVERAGE | MAX<br>LENGTH<br>(WITH MIN<br>ZOOM) |                             |
| INCH        | CM  | CM    | CM     |                                     |         |                                     |                             |
| 30          | 76  | 66    | 37     | 106                                 | 116     | 127                                 | 11                          |
| 40          | 102 | 89    | 50     | 141                                 | 155     | 169                                 | 15                          |
| 50          | 127 | 111   | 62     | 176                                 | 194     | 211                                 | 19                          |
| 60          | 152 | 133   | 75     | 211                                 | 232     | 253                                 | 22                          |
| 80          | 203 | 177   | 100    | 282                                 | 310     | 338                                 | 30                          |
| 100         | 254 | 221   | 125    | 352                                 | 387     | 422                                 | 37                          |
| 120         | 305 | 266   | 149    | 422                                 | 465     | 507                                 | 45                          |
| 150         | 381 | 332   | 187    | 528                                 | 581     | 634                                 | 56                          |
| 200         | 508 | 443   | 249    | 704                                 | 774     | 845                                 | 75                          |
| 220         | 559 | 487   | 274    | 774                                 | 852     | 929                                 | 82                          |
| 250         | 635 | 553   | 311    | 880                                 | 968     | 1056                                | 93                          |
| 300         | 762 | 664   | 374    | 1056                                | 1162    | 1267                                | 112                         |

## HDP2100 Series Timing Mode Table

The projector can display several resolutions. The following table outlines the resolutions that can be displayed by the projector.

| SIGNAL          | RESOLUTION  | H-SYNC (KHz) | V-SYNC (Hz) | COMPOSITE / S-VIDEO | COMPONENT | RGB (ANALOG) | HDMI (DIGITAL) |
|-----------------|-------------|--------------|-------------|---------------------|-----------|--------------|----------------|
| NTSC            | —           | 15.734       | 60.0        | O                   | —         | —            | —              |
| PAL/SECAM       | —           | 15.625       | 50.0        | O                   | —         | —            | —              |
| VESA            | 720 x 400   | 37.9         | 85.0        | —                   | —         | O            | O              |
|                 | 640 x 480   | 31.5         | 60.0        | —                   | —         | O            | O              |
|                 | 640 x 480   | 37.9         | 72.8        | —                   | —         | O            | O              |
|                 | 640 x 480   | 37.5         | 75.0        | —                   | —         | O            | O              |
|                 | 640 x 480   | 43.3         | 85.0        | —                   | —         | O            | O              |
|                 | 800 x 600   | 35.2         | 56.3        | —                   | —         | O            | O              |
|                 | 800 x 600   | 37.9         | 60.3        | —                   | —         | O            | O              |
|                 | 800 x 600   | 46.9         | 75.0        | —                   | —         | O            | O              |
|                 | 800 x 600   | 48.1         | 72.2        | —                   | —         | O            | O              |
|                 | 800 x 600   | 53.7         | 85.1        | —                   | —         | O            | O              |
|                 | 1024 x 768  | 48.4         | 60.0        | —                   | —         | O            | O              |
|                 | 1024 x 768  | 56.5         | 70.1        | —                   | —         | O            | O              |
|                 | 1024 x 768  | 60.0         | 75.0        | —                   | —         | O            | O              |
|                 | 1024 x 768  | 68.7         | 85.0        | —                   | —         | O            | O              |
|                 | 1280 x 800  | 49.7         | 59.8        | —                   | —         | O            | O              |
|                 | 1280 x 800  | 62.8         | 74.9        | —                   | —         | O            | O              |
|                 | 1280 x 800  | 71.6         | 84.8        | —                   | —         | O            | O              |
|                 | 1280 x 1024 | 64.0         | 60.0        | —                   | —         | O            | O              |
|                 | 1280 x 1024 | 80.0         | 75.0        | —                   | —         | O            | O              |
|                 | 1280 x 1024 | 91.1         | 85.0        | —                   | —         | O            | O              |
| 1400 x 1050     | 65.3        | 60.0         | —           | —                   | O         | O            |                |
| 1440 x 900      | 55.9        | 60.0         | —           | —                   | O         | O            |                |
| 1600 x 1200     | 75.0        | 60           | —           | —                   | O         | O            |                |
| Apple Macintosh | 640 x 480   | 35.0         | 66.7        | —                   | —         | O            | O              |
|                 | 832 x 624   | 49.7         | 74.5        | —                   | —         | O            | O              |
|                 | 1024 x 768  | 60.2         | 74.9        | —                   | —         | O            | O              |
|                 | 1152 x 870  | 68.7         | 75.1        | —                   | —         | O            | O              |
| SDTV            | 480i        | 15.734       | 60.0        | —                   | O         | —            | O              |
|                 | 576i        | 15.625       | 50.0        | —                   | O         | —            | O              |
| EDTV            | 576p        | 31.3         | 50.0        | —                   | O         | —            | O              |
|                 | 480p        | 31.5         | 60.0        | —                   | O         | —            | O              |

| SIGNAL | RESOLUTION | H-SYNC (KHz) | V-SYNC (Hz) | COMPOSITE / S-VIDEO | COMPONENT | RGB (ANALOG) | HDMI (DIGITAL) |
|--------|------------|--------------|-------------|---------------------|-----------|--------------|----------------|
| HDTV   | 720p       | 37.5         | 50.0        | —                   | O         | —            | O              |
|        | 720p       | 45.0         | 60.0        | —                   | O         | —            | O              |
|        | 1080i      | 33.8         | 60.0        | —                   | O         | —            | O              |
|        | 1080i      | 28.1         | 50.0        | —                   | O         | —            | O              |
|        | 1080p      | 67.5         | 60.0        | —                   | O         | —            | O              |
|        | 1080p      | 56.3         | 50.0        | —                   | O         | —            | O              |

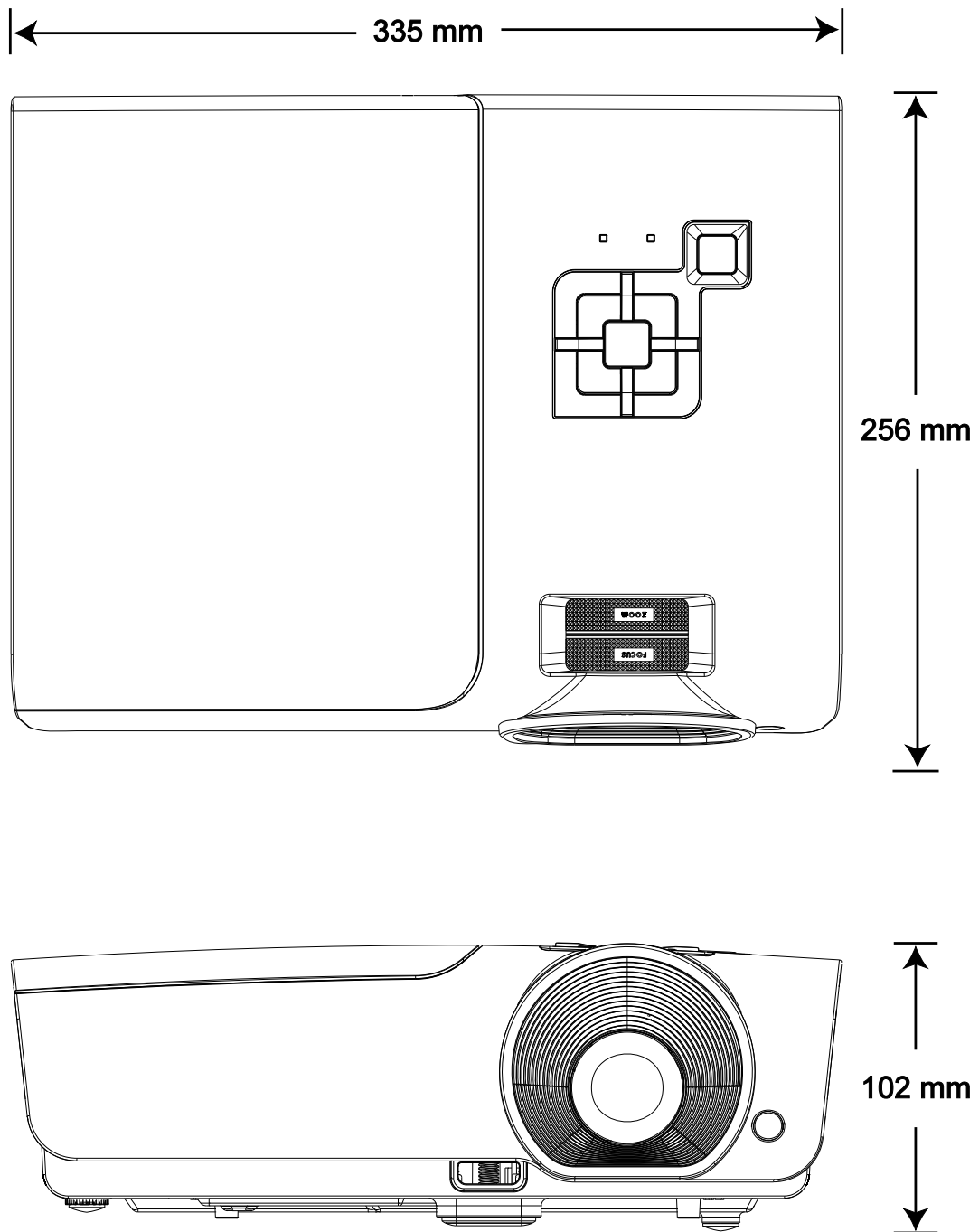
O: Frequency supported

—: Frequency not supported

The native resolution of the panel for the HDP2100 series is 1920 x 1080.  
Resolution other than native resolution may display with uneven size of text or lines.



### Projector Dimensions



### **FCC Warning**

This equipment has been tested and found to comply with the limits for a Class B digital device pursuant to Part 15 of the FCC Rules. These limits are designed to provide reasonable protection against harmful interference when the equipment is operated in a commercial environment.

This equipment generates, uses, and can radiate radio frequency energy and, if not installed and used in accordance with the instruction manual, may cause harmful interference to radio communications. Operation of this equipment in a residential area is likely to cause harmful interference in which case the user will be required to correct the interference at his/her own expense.

Changes or modifications not expressly approved by the parties responsible for compliance could void the user's authority to operate the equipment.

### **Canada**

This class B digital apparatus complies with Canadian ICES-003.

### **Safety Certifications**

FCC-B, UL, cUL, CB, CE, CCC, KC, PCT, and C-tick

### **EN 55022 Warning**

This is a Class B product. In a domestic environment, it may cause radio interference, in which case the user may be required to take adequate measures. The typical use is in a conference room, meeting room, or auditorium.